

CUSTOMER COPY

| REV. | DESCRIPTION | APP. | DATE |
|------|-------------|------|------------|
| A | NEW DESIGN | Amos | 2011-02-21 |

ORDER INFORMATION

1714008 XX X

1:Plating Tin
3:Plating Gold Flash

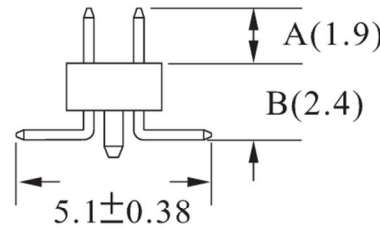
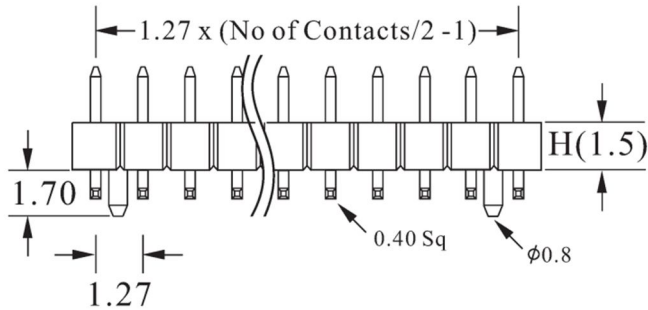
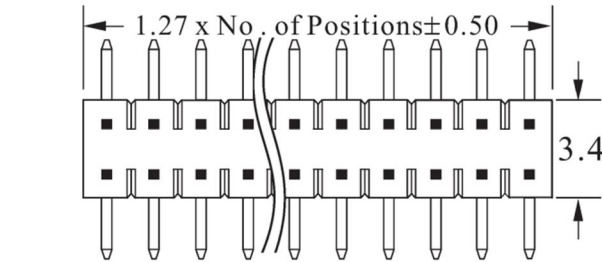
No. of Contact

SPECIFICATIONS

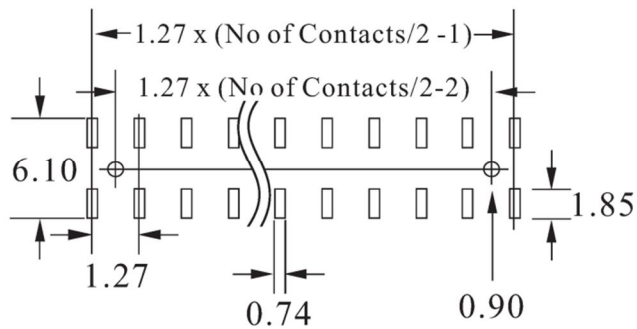
Current Rating : 1 Amps
Insulator resistance : 5000 Megohms
Dielectric withstanding : AC 500V
Operating Temperature : -40°C ~ +105°C

MATERIAL :

Housing : High Temperature Thermoplstic
Terminal : Brass



Recommended P.C.Board Hole Layout :



鈺滿榮企業股份有限公司 ACMELUX CO., LTD.

TEL:886-2-85124595

FAX:886-2-85124322

| | | | |
|------------|------------|---|----------------|
| 0.0±0.30 | SCALE: 1:1 | TITLE: | PART NO: |
| 0.00±0.20 | UNIT: mm | Pitch 1.27mm Dual Rows SMT Type Pin Header Connector | APP BY: Hung |
| 0.000±0.15 | | MATL: RoHS (Nylon 6T) | CHK BY: Cheryl |
| | | DWG. NO. C1714008XXX | DR BY: Amos |

A225