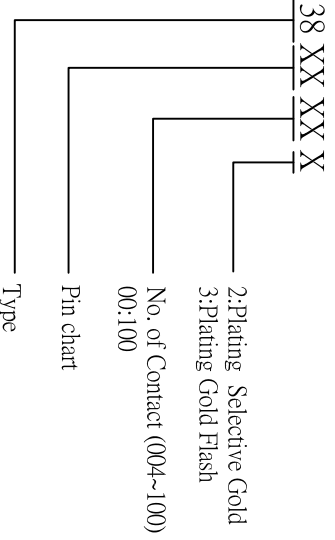
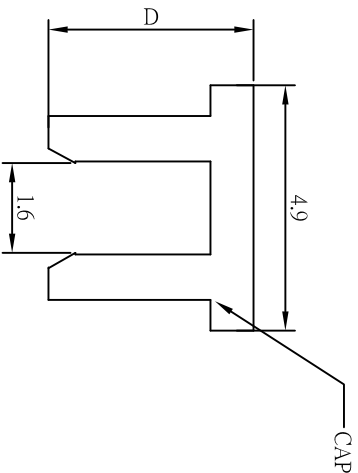
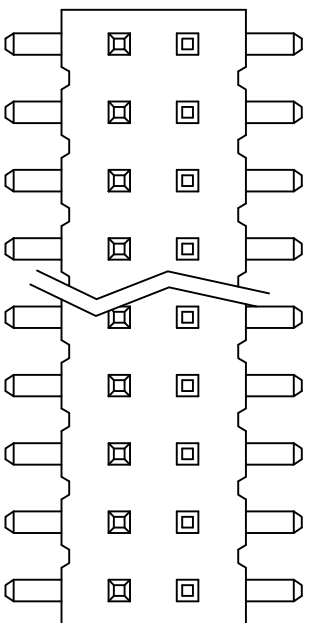


CUSTOMER COPY



ORDER INFORMATION

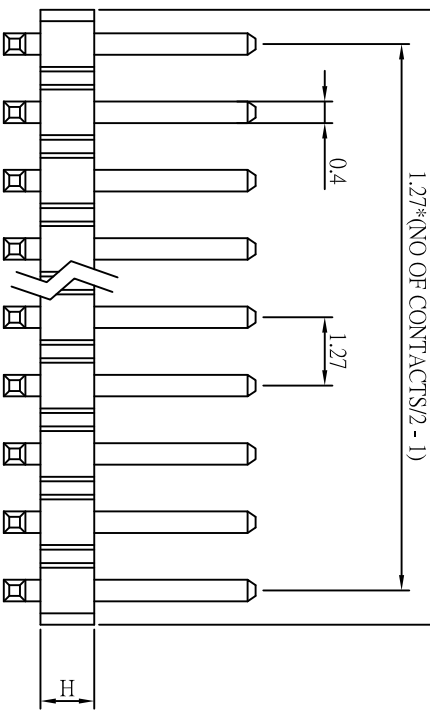
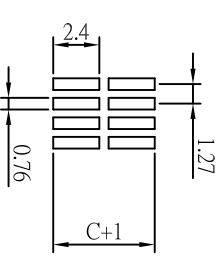
171 38 XX XX X

- 2:Plating Selective Gold
- 3:Plating Gold Flash
- No. of Contact (004~100)
- 00:100
- Pin chart
- Type

SPECIFICATION

MATERIAL

- * Current Rating: 1 A
- * Withstanding Voltage: 600 VAC (1 min.)
- * Insulation Resistance: 1000 Megohms MIN.
- * Contact Resistance: 30 Milliohms MAX.
- * Operating Temperature: -55°C to +105°C
- * Retention Force: 450g MIN.
- * Contact: Copper Alloy
- * Insulator: High Temperature Plastic
- * Plating: Selective Gold or All Gold



Pin Chart

No.	A	B	C	H	CAP
00	2.10	1.50	5.30	1.00	黑
01	3.50	2.00	5.10	1.00	黑
02	3.00	3.00	5.10	2.60	黑
03	2.10	1.50	5.30	1.00	鐵
04	2.50	2.50	5.50	2.00	黑
05	1.90	2.70	5.10	2.00	黑
06	3.00	1.50	5.20	1.00	黑

No.	A	B	C	H	CAP
07	3.00	1.50	5.20	1.00	黑
08	3.00	2.00	4.80	1.00	黑
09	2.50	1.50	5.50	1.00	黑
10	3.81	2.92	5.10	2.00	黑

(Tube)
(Reel)

Recommended P.C. Board SMD Layout


钰满荣企业股份有限公司 ACMELUX CO., LTD.
 TEL:886-2-85124595 FAX:886-2-85124322

0.0±0.30	Scale: 1:1	Title:	PART NO:
0.00±0.20	Unit: mm	pitch 1.27x1.27MM(0.5°X,0.5°) Dual Row	107600
0.000±0.1		SWT Type 0.40mm square Post	APP BY: Hung
		Pin Header Connector	CHK BY: Cheryl
		Material: RoHS (Nylon)	DR BY: Amos
		DWG. NO. C17138XXXXXX	

REV.	DESCRIPTION	APP.	DATE
A	NEW DESIGN		

