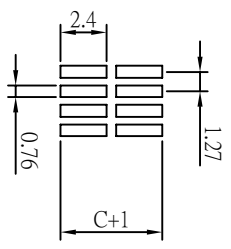
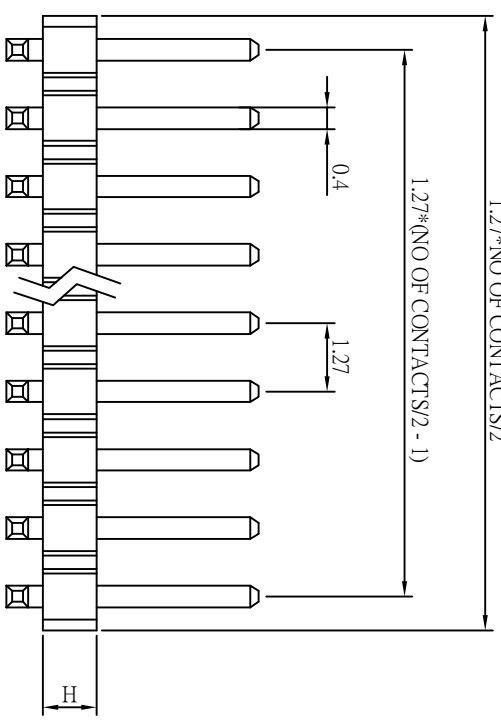
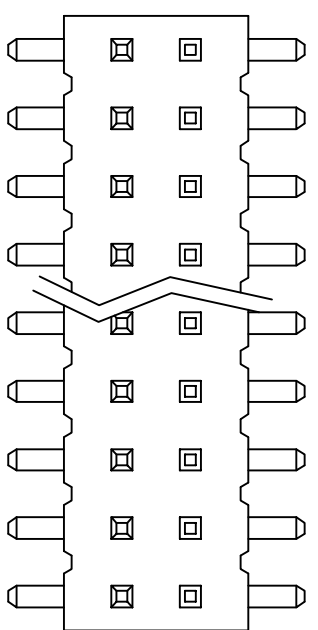
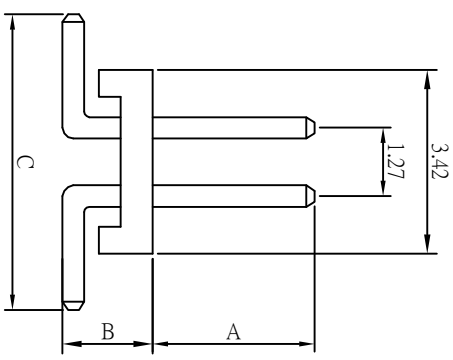


CUSTOMER COPY

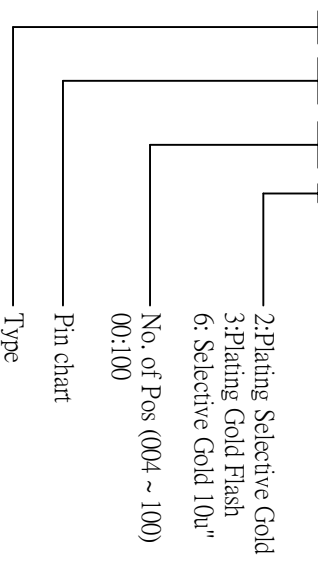


Recommended P.C. Board SMD Layout



ORDER INFORMATION

171 36 XX XX X



SPECIFICATION

- \* Current Rating: 1 A
- \* Withstanding Voltage: 600 VAC ( 1 min. )
- \* Insulation Resistance: 1000 Megohms MIN.
- \* Contact Resistance: 30 Milliohms MAX.
- \* Operating Temperature: -55°C to +105°C
- \* Retention Force: 450g MIN.

MATERIAL

- \* Contact: Copper Alloy
- \* Insulator: NYLON 6T
- \* Plating: Selective Gold or All Gold



Pin Chart

No.	A	B	C	H	No.	A	B	C	H	No.	A	B	C	H	No.	A	B	C	H
00	3.00	2.00	5.20	1.00	08	3.40	1.50	5.00	1.00	16	1.70	3.00	5.50	2.50	24	3.00	1.50	5.2	1.00
01	2.40	1.50	5.10	1.00	09	3.50	2.00	5.50	1.00	17	3.20	1.80	5.30	1.00	25	3.00	2.90	5.5	2.54
02	1.90	2.70	5.10	2.00	10	3.40	1.60	5.00	1.00	18	3.00	1.65	5.50	1.00	26	3.00	3.00	5.8	2.5
03	3.00	2.20	5.20	1.50	11	4.00	1.50	4.00	1.00	19	3.00	3.75	5.50	2.50	27	1.80	1.50	5.0	1.00
04	3.00	3.00	5.10	1.50	12	2.00	1.70	5.30	1.00	20	3.00	3.35	5.50	2.00	28	3.00	3.00	5.2	2.5
05	3.50	1.50	4.80	1.00	13	1.80	3.30	5.50	2.00	21	3.00	2.25	5.50	1.00	29	3.00	3.00	5.1	2.0
06	3.00	1.65	5.10	1.00	14	2.50	2.50	5.50	2.00	22	1.70	2.50	4.35	2.00	30	3.00	2.2	5.1	1.00
07	3.00	2.60	5.50	2.00	15	4.00	2.00	5.50	1.50	23	3.00	2.50	5.10	2.00	31	3.00	2.5	5.1	1.50



鈺滿樂企業股份有限公司 ACMELEX CO., LTD.  
TEL:886-2-85124595 FAX:886-2-85124232

0.0±0.30	Scale: 1:1	Title:	PART NO:	107600
0.00±0.20	Unit: mm	1.27x1.27MM, 05°X, 05° SMD PIN Header Dual ROW 0.40 Square Post	APP BY:	Stungy
0.000±0.1			CHK BY:	Cheryl
			DR BY:	Amos
				A021

REV.	DESCRIPTION	APP.	DATE
A	NEW DESIGN	Amos	2010-07-27