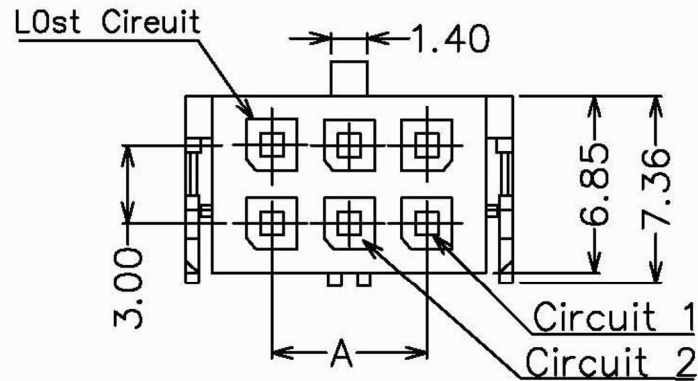


CUSTOMER COPY

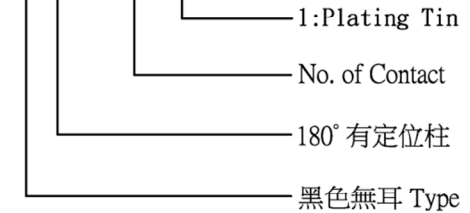
REV.	DESCRIPTION	APP.	DATE
A	NEW DESIGN	Amos	2011-04-14



PART NO	Dimensions	
	A	B
2X1P	—	6.80
2X2P	3.00	9.80
2X3P	6.00	12.80
2X4P	9.00	15.80
2X5P	12.00	18.80
2X6P	15.00	21.80
2X7P	18.00	24.80
2X8P	21.00	27.80
2X9P	24.00	30.80
2X10P	27.00	33.80
2X11P	30.00	36.80
2X12P	33.00	39.80

ORDER INFORMATION

1245 1 2 0 XX X



MATERIAL

WAFER: NYLON 46 or HTN UL 94V-0

CONTACTS: BRASS

PLATING: TIN OVER NICKEL

SPECIFICATION

Current Rating: A AC, DC

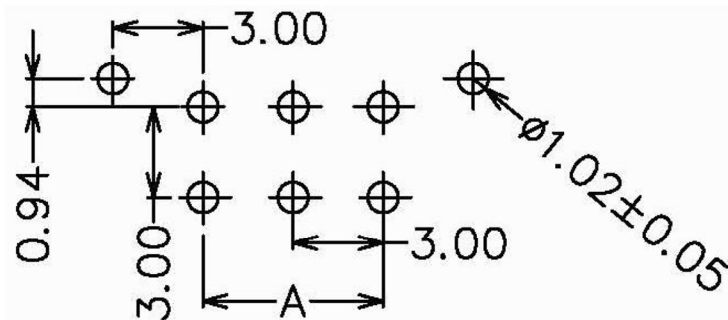
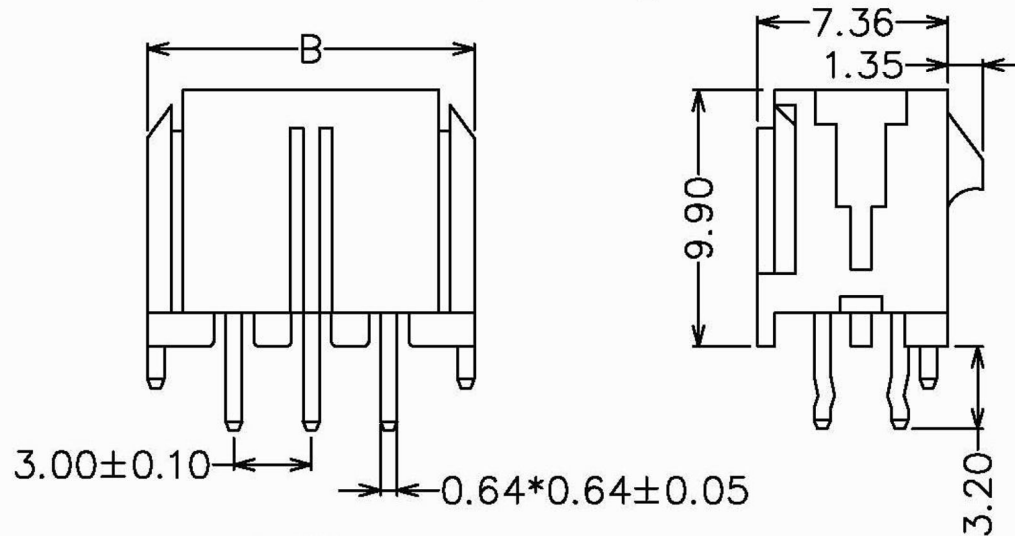
Voltage Rating: 250V AC, DC

OPERATING TEMPERATURE: -25° C ~ +85° C



Contact Resistance: 20mΩ Max

Insulation Resistance: 100MΩ Min

Withstanding Voltage: 500V AC/minute



鈺滿榮企業股份有限公司 ACME LUX CO., LTD.
 TEL: 886-2-85124595 FAX: 886-2-85124322

0.0±0.35	SCALE: 1:1	TITLE:	PART NO:
0.00±0.25	UNIT: mm	MX 3.0mm 180° DIP Type	APP BY: Hung
0.000±0.15		Wafer Connector	CHK BY: Cheryl
 		MATL: RoHS	DR BY: Amos
		DWG. NO. C1245120XXX	A303