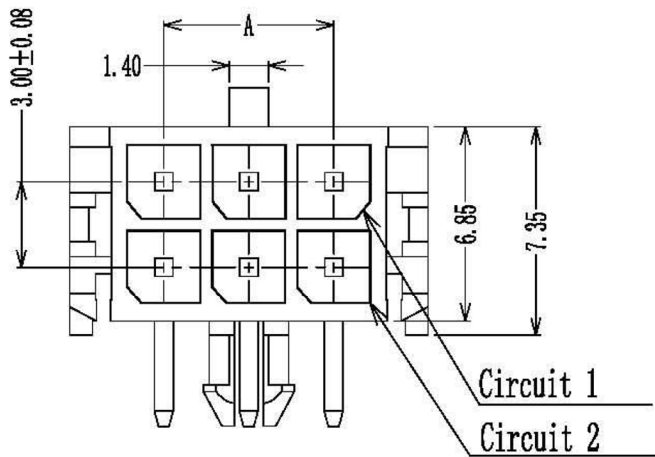


CUSTOMER COPY

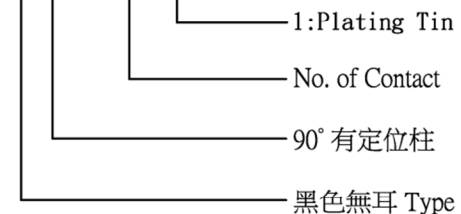
REV.	DESCRIPTION	APP.	DATE
A	NEW DESIGN	Amos	2011-04-14



PART NO	Dimensions	
	A	B
-2X1P		6.65
-2X2P	3.00	9.65
-2X3P	6.00	12.65
-2X4P	9.00	15.65
-2X5P	12.00	18.65
-2X6P	15.00	21.65
-2X7P	18.00	24.65
-2X8P	21.00	27.65
-2X9P	24.00	30.65
-2X10P	27.00	33.65
-2X11P	30.00	36.65
-2X12P	33.00	39.65

ORDER INFORMATION

1245 1 1 0 XX X



MATERIAL

WAFER: NYLON 46 or HTN UL 94V-0

CONTACTS: BRASS

PLATING: TIN OVER NICKEL

SPECIFICATION

Current Rating: 1A AC, DC

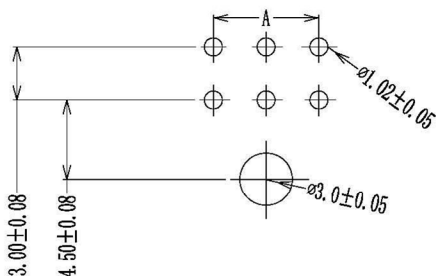
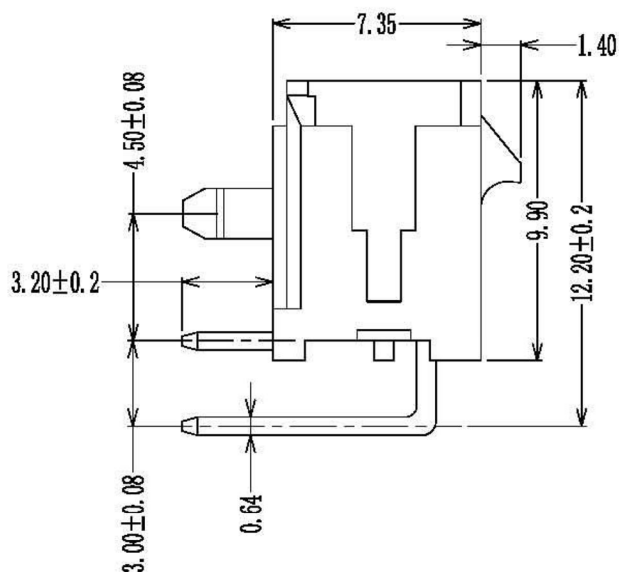
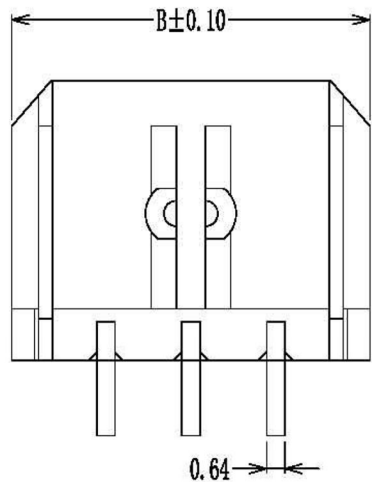
Voltage Rating: 50V AC, DC

OPERATING TEMPERATURE: $-25^{\circ}C \sim +85^{\circ}C$

Contact Resistance: $20m\Omega$ Max

Insulation Resistance: $100M\Omega$ Min

Withstanding Voltage: 500V AC/minute



鈺滿榮企業股份有限公司 ACMELUX CO., LTD.

TEL: 886-2-85124595

FAX: 886-2-85124322

0.0±0.35	SCALE: 1:1	TITLE:	PART NO:
0.00±0.25	UNIT: mm	MX 3.0mm 90° DIP Type Wafer Connector	APP BY: Hung
0.000±0.15			CHK BY: Cheryl
		MATL: RoHS	DR BY: Amos
		DWG. NO. C1245110XXX	A303