

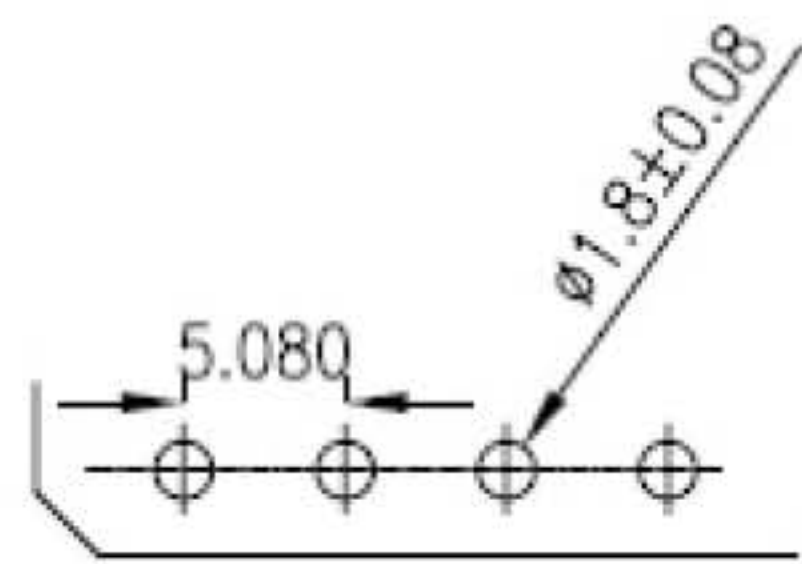
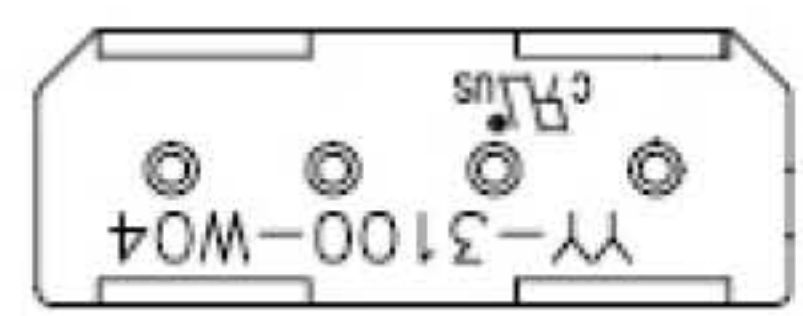
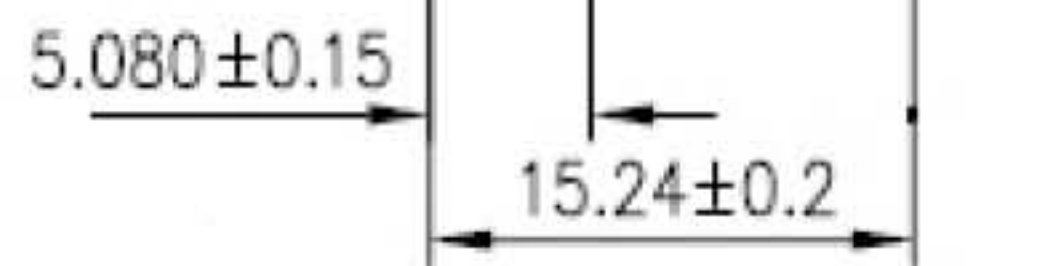
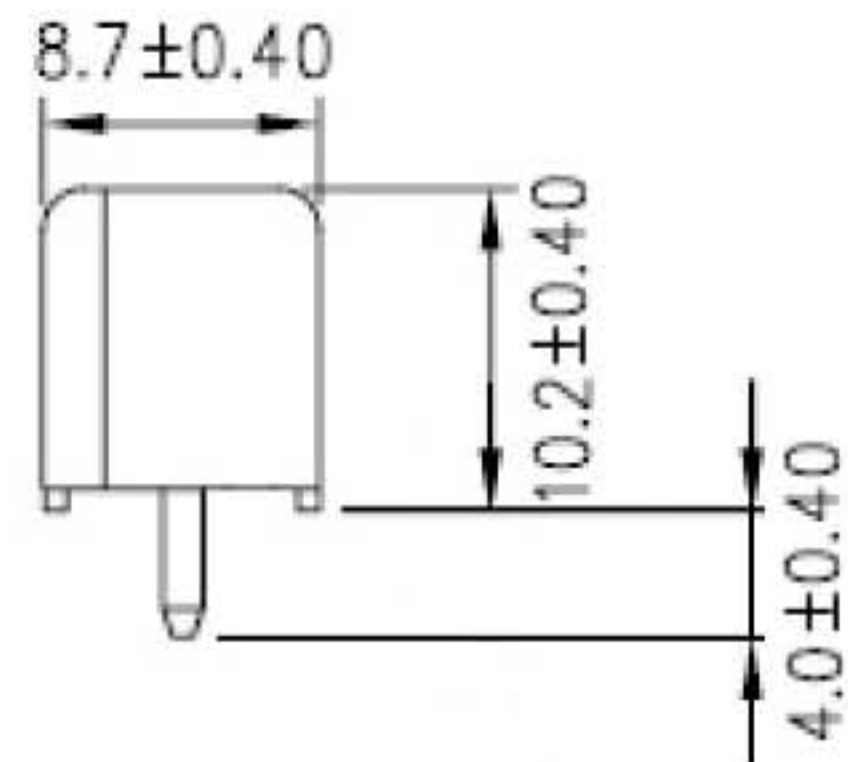
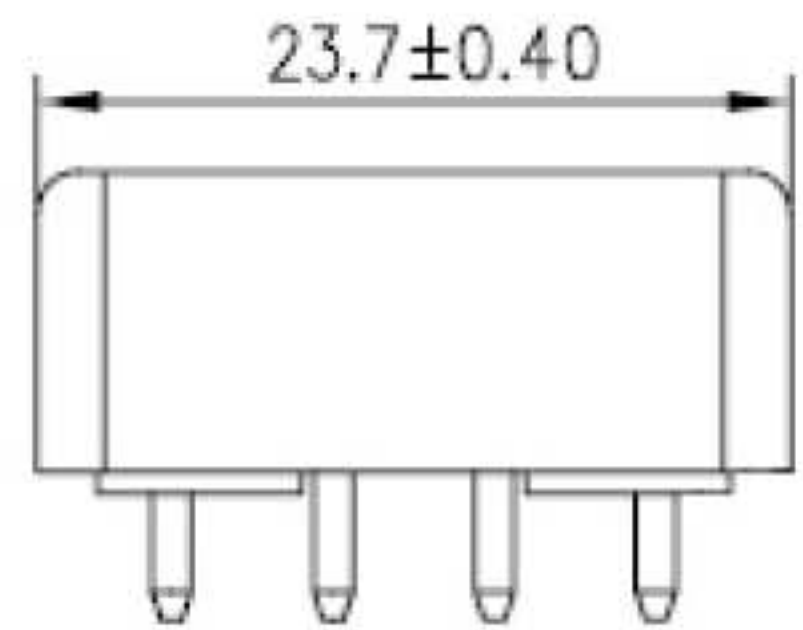
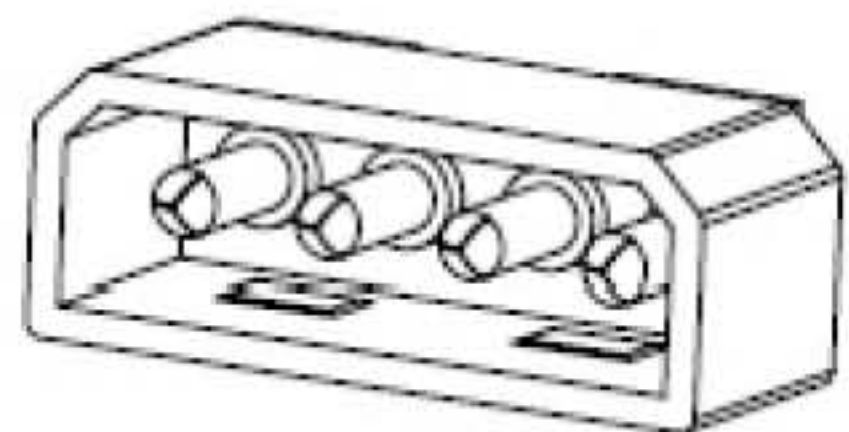
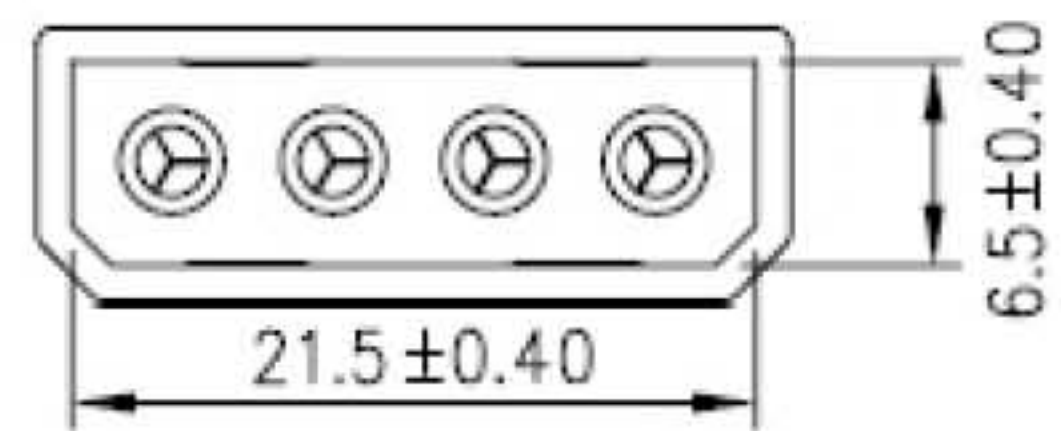
CUSTOMER COPY

REV.	DESCRIPTION	APP.	DATE
A	NEW DESIGN	Amos	2010-08-30

ORDER INFORMATION

1244 3 0 XX 4 1

- Plating:
- 1: Tin
- No. Of Contact
- Color
- 00:無凸點,黑
- 01:無凸點,白
- Type
- 0:180°
- 1:90°
- RoHS Type



P.C.B LAYOUT

Features:

- * Material: Nylon 66 UL94V-2
- * Pin Material: Brass/Tin-Plated
- * Two P.C tail lengths

Specification:

- * Pitch between pales 5.08mm
- * Rated Voltage 250V AC,DC
- * Rated Current 5A AC,DC
- * Withstand Voltage 1500V AC/minute
- * Insulation Resistance 1000M Ohms/min
- * Temperature Range -25°C~+105°C



鈺滿榮企業股份有限公司 ACMELUX CO., LTD.

TEL: 886-2-85124595 FAX: 886-2-85124322



0.0±0.40	Scale: 1:1	Title:	PART NO:
0.00±0.25	Unit: mm	Pitch 5.08mm Wafer Connector	APP BY: <i>Hung</i>
0.000±0.15		Material: RoHS	CHK BY: <i>Cheryl</i>
		DWG. NO. C124430XX41	DR BY: <i>Amos</i> A040