

CUSTOMER COPY

REV.	DESCRIPTION	APP.	DATE
A	NEW DESIGN	Amos	2013-11-08

RoHS

ORDER INFORMATION

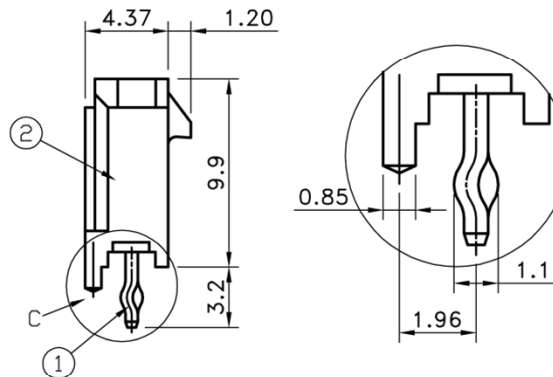
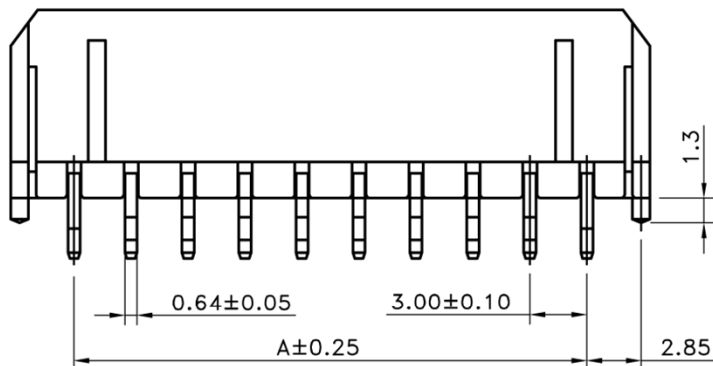
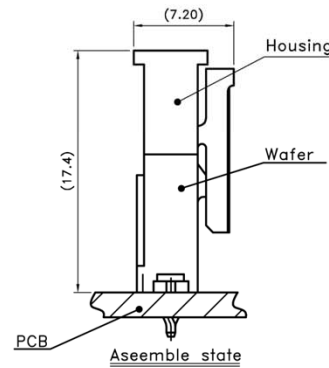
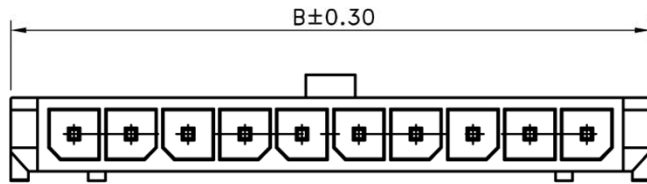
1235 33 X XX X

1:Plating Tin
3:Plating Gold Flash

No. of Contact

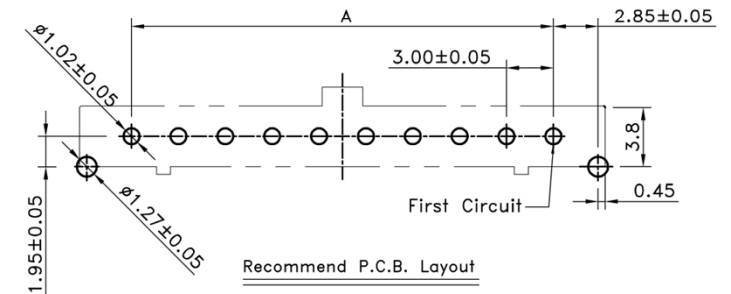
0:Tube
1:Reel

180° DIP Single Row Type



Detail C
SCALE 2:1

Poles	Dimensions(mm)		Poles	Dimensions(mm)	
	A	B		A	B
2	3.00	9.65	8	21.00	27.65
3	6.00	12.65	9	24.00	30.65
4	9.00	15.65	10	27.00	33.65
5	12.00	18.65	11	30.00	36.65
6	15.00	21.65	12	33.00	39.65
7	18.00	24.65			

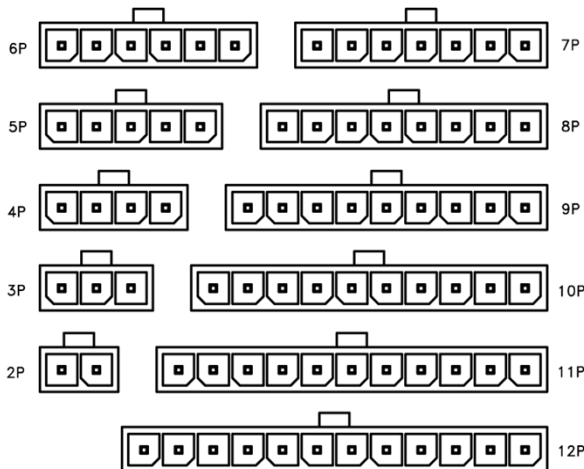


■ SPECIFICATIONS

- Current Rating : 5A AC/DC
- Withstanding Voltage : 1,500V AC/minute
- Insulation Resistance : 1000MΩ min
- Temperature Range : -40°C ~ + 105°C
- Contact Resistance : 20mΩ max

■ WAFER

- Poles : 2 - 12(Single Row , Straight)
- Material : 1.Contact : Brass, Sn100u" over Plated ; Nickel 30u" under all over
2.Base : Polyamide 6T/66 ; UL94V-0
- Q' ty : 1,000 pcs./Bag



鈺滿榮企業股份有限公司 ACME LUX CO., LTD.

TEL:886-2-85124595

FAX:886-2-85124322

0.0±0.30	SCALE: 1:1	TITLE:	PART NO:
0.00±0.20	UNIT: mm	Pitch 3.0mm 180° Type Wafer Connector	APP BY: <i>Hung</i>
0.000±0.1			CHK BY: <i>Cheryl</i>
MATERIAL: RoHS		DWG. NO. C123533XXXX	DR BY: <i>Amos</i>