

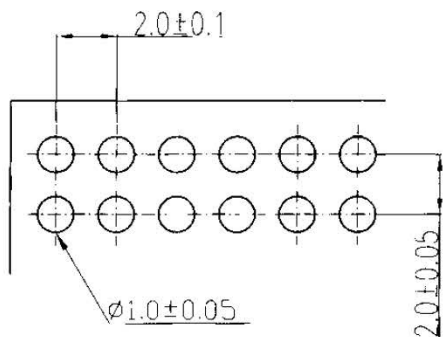
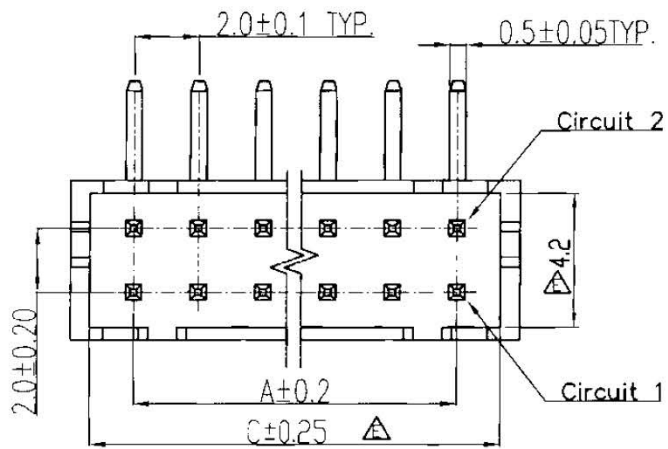
CUSTOMER COPY

REV.	DESCRIPTION	APP.	DATE
A	NEW DESIGN	Amos	2012-06-27

ORDER INFORMATION

1222 1 3 0 XX X

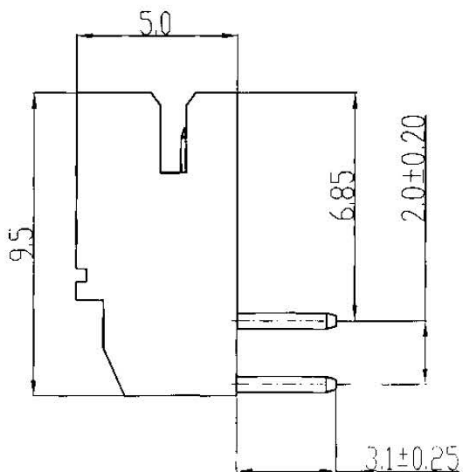
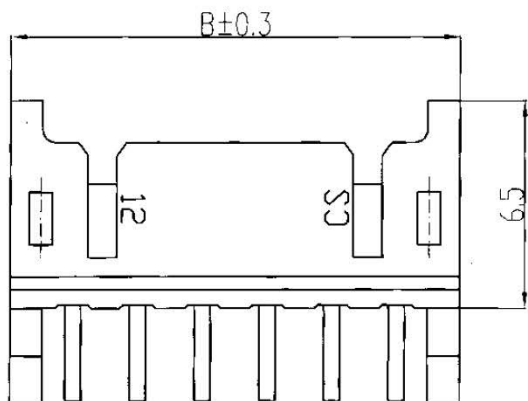
- 1:Plating Tin
- No. of Contact
- 0:White
- 90° Halogen Free
- JST Type



Recommend PCB Layout

SPECIFICATIONS

- . Voltage Rating: 250V AC/DC
- . Current Rating: 3A AC/DC
- . Withstanding Voltage: 800V AC/minute
- . Insulation Resistance; 1,000MΩ min
- . Temperature Range: -25°C to +85°C
- . Contact Resistance: 20mΩ max
- . Material: Base: See Part No Contact: Brass, Tin Plated



Poles	Dimension			Poles	Dimension			Poles	Dimension		
	A	B	C		A	B	C		A	B	C
2X02	2.0	6.00	4.7	2X10	18.0	22.00	20.7	2X18	34.0	38.00	36.7
2X03	4.0	8.00	6.7	2X11	20.0	24.00	22.7	2X19	36.0	40.00	38.7
2X04	6.0	10.00	8.7	2X12	22.0	26.00	24.7	2X20	38.0	42.00	40.7
2X05	8.0	12.00	10.7	2X13	24.0	28.00	26.7	2X21	40.0	44.00	42.7
2X06	10.0	14.00	12.7	2X14	26.0	30.00	28.7	2X22	42.0	46.00	44.7
2X07	12.0	16.00	14.7	2X15	28.0	32.00	30.7	2X23	44.0	48.00	46.7
2X08	14.0	18.00	16.7	2X16	30.0	34.00	32.7	2X24	46.0	50.00	48.7
2X09	16.0	20.00	18.7	2X17	32.0	36.00	34.7	2X25	48.0	52.00	50.7



鈺滿榮企業股份有限公司 ACMELUX CO., LTD.

TEL:886-2-85124595

FAX:886-2-85124322

0.0±0.30	SCALE: 1:1	TITLE:	PART NO:
0.00±0.20	UNIT: mm	Pitch 2.0mm JST 90° DIP Type Wafer Connector	APP BY: <i>Hung</i>
0.000±0.1			CHK BY: <i>Cheryl</i>
		MATL: RoHS	DR BY: <i>Amos</i>
		DWG. NO. C1222130XXX	A244