

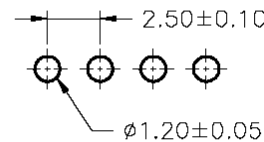
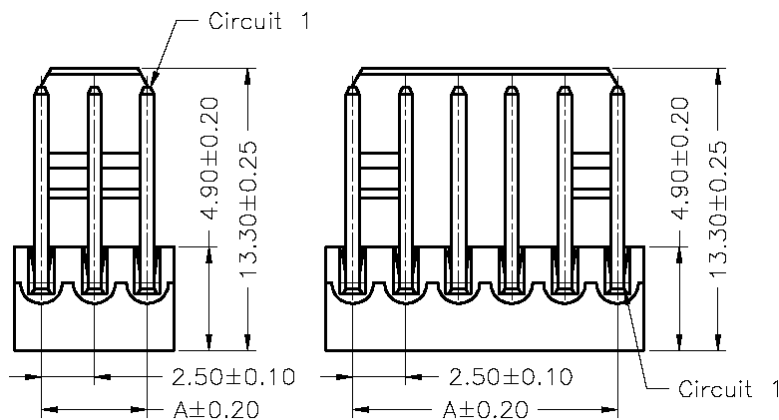
CUSTOMER COPY

REV.	DESCRIPTION	APP.	DATE
A	NEW DESIGN		

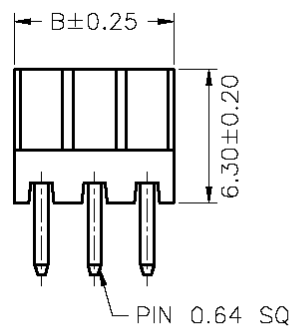
ORDER INFORMATION

1220 01 1 XX X

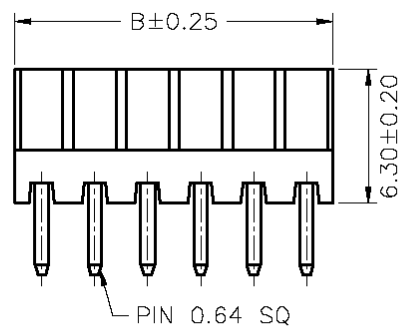
1:Plating Tin
No. of Contact
90°
Type



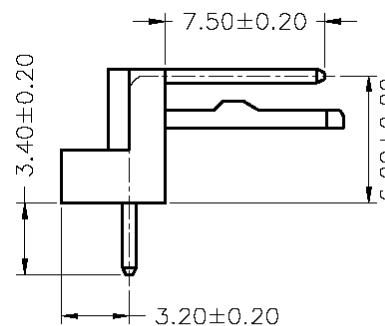
P.C.B LAYOUT



02P,03P

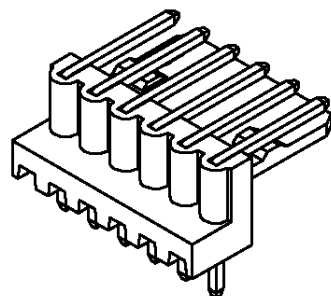


04P~20P



Dimensions

PART NO.	Dimensions	
	A	B
02P	2.50	5.00
03P	5.00	7.50
04P	7.50	10.00
05P	10.00	12.50
06P	12.50	15.00
07P	15.00	17.50
08P	17.50	20.00
09P	20.00	22.50
10P	22.50	25.00
11P	25.00	27.50
12P	27.50	30.00
13P	30.00	32.50
14P	32.50	35.00
15P	35.00	37.50
16P	37.50	40.00
17P	40.00	42.50
18P	42.50	45.00
19P	45.00	47.50
20P	47.50	50.00



SPECIFICATIONS

Current Rating: 3A AC,DC
Voltage Rating: 250V AC,DC
Temperature Range: -25°C ~ +85°C
Contact Resistance: 20mΩ Max
Insulation Resistance: 1000MΩ Min
Withstanding Voltage: 1000V AC/minute
Pin Material: Brass/Tin-plated
Material: Nylon 66,UL94V-0
Pantone Color: 7506C



鈺滿榮企業股份有限公司 ACMELUX CO., LTD.

TEL: 886-2-85124595 FAX: 886-2-85124322

0.0±0.30	SCALE: 1:1	TITLE: Pitch 2.50mm 90° Wafer	PART NO:
0.00±0.20	UNIT: mm		APP BY: <i>Hung</i>
0.000±0.1			CHK BY: <i>Cheryl</i>
		MATL: RoHS	DR BY: <i>Amos</i>
		DWG. NO. C1220011XXX	A122