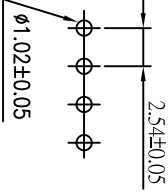
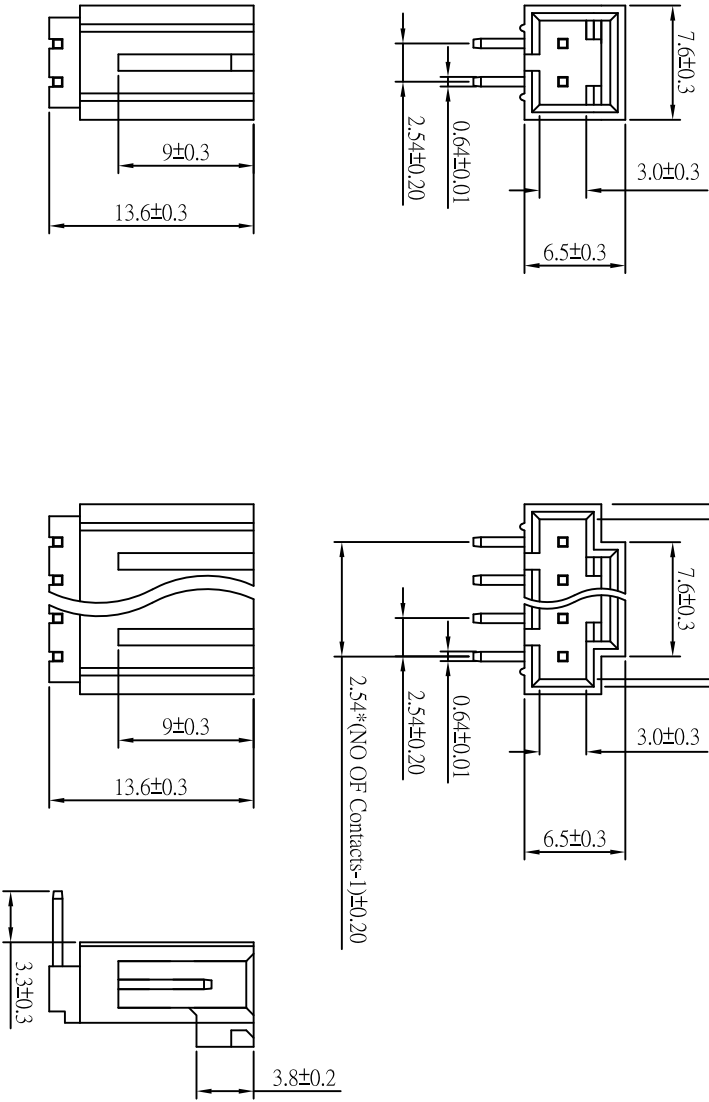
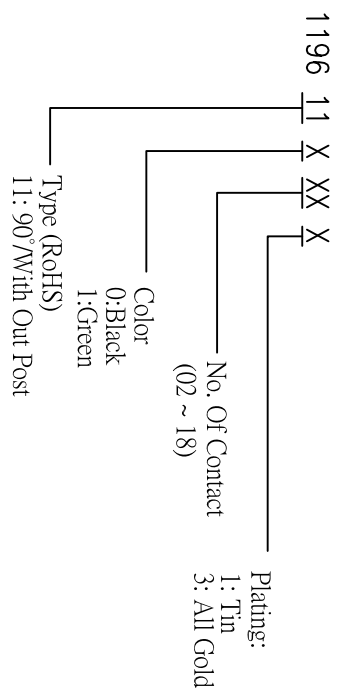


**CUSTOMER COPY**



Recommended P.C. Board Hole Layout

**ORDER INFORMATION**



**SPECIFICATION**

- \* Current Rating: 3 A
- \* Withstanding Voltage: 500 VAC ( 1 min. )
- \* Insulation Resistance: 1000 Megohms MIN.
- \* Contact Resistance: 20 Milliohms MAX.
- \* Operating Temperature: -40°C to +85°C
- \* Retention Force: 1 kg MIN.

**MATERIAL**

- \* Contact: Brass , 0.64mm Square post
- \* Insulator: PBT & 30% G.F.
- \* Plating: Gold

| REV. | DESCRIPTION | APP. | DATE |
|------|-------------|------|------|
| A    | NEW DESIGN  |      |      |

|                  |            |  |                       |
|------------------|------------|--|-----------------------|
|                  |            | <b>ACMELUX CO., LTD.</b>               |                       |
| TEL:886-85124595 |            | FAX:886-85124322                       |                       |
| 0.0±0.30         | SCALE: 1:1 | <b>TITLE:</b> Pitch 2.54MM (.100") R/A |                       |
| 0.00±0.20        | UNIT: mm   | Shrouded Header Connector              |                       |
| 0.000±0.10       |            | <b>MATL:</b> RoHS                      | <b>CHK BY:</b> Cheryl |
|                  |            | <b>DWG. NO.</b> C119611XXXX            | <b>DR BY:</b> Ames    |
|                  |            | <b>PART NO:</b>                        | <b>APP BY:</b> Slung  |