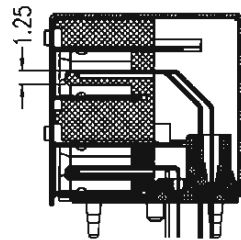
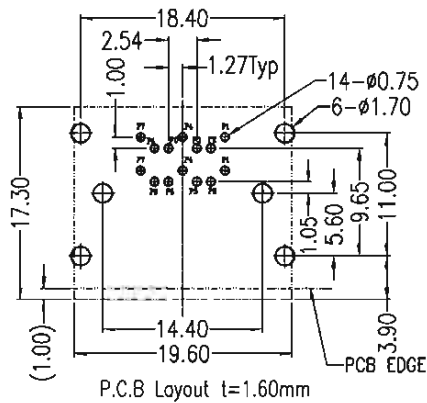
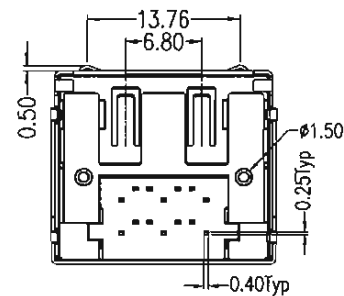
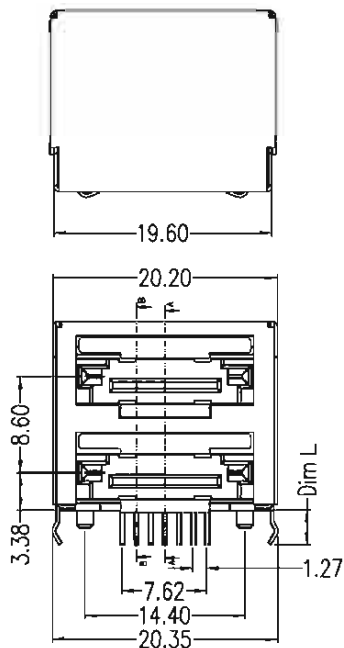
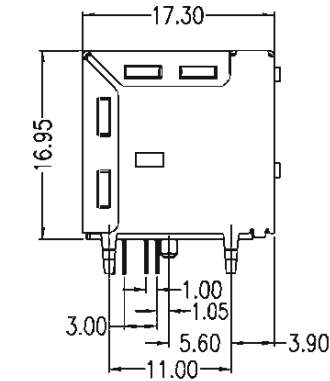
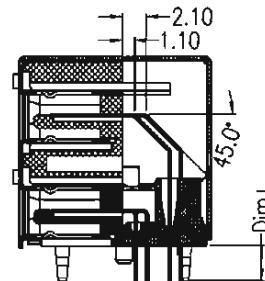


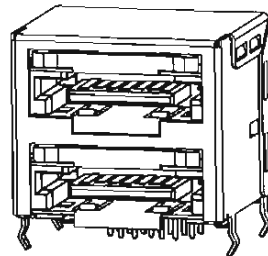
CUSTOMER COPY



Section:A-A



Section:B-B



*Oder Information

1643 XXX 14 X

4:Selective Gold (Gold 15u")
7:Selective Gold (Gold 30u")

No. Of Contact

Type:

- 028:DIP Double eSATA(Yellow) L:2.3
- 029:DIP Double eSATA(Yellow) L:3.1
- 030:DIP Double eSATA(Red) L:2.3
- 031:DIP Double eSATA(Red) L:3.1

NOTES:

Material

- Housing : Nylon 46,UL 94-0 Rated
- eSATA : Nylon 46,UL 94-0 Rated
- Contact : Brass,Gold plating over Nickel on contact area; Tin Plating on Solder Tail.
- Shell(Outside): Brass, Nickel plating
- Shell(eSATA): Brass, Nickel plating

Electrical Specification

- Operation Voltage:100 VAC max.
- Current Rating: 1.5 Ampere per contact
- Contact Resistance: 30mOHM Max
- Insulation Resistance: 1000M OHM MIN
- Dielectric Withstanding Voltage:500V AC.

*Environmental

Operating Temperature : -55°c to +125°c.



鈺滿榮企業股份有限公司 ACMELUX CO., LTD.

TEL:886-2-85124595

FAX:886-2-85124322

| | | | |
|-----------|----------|---------------------------|------------------|
| 0.0±0.30 | SCALE: | TITLE: | PART NO: |
| 0.00±0.20 | UNIT: mm | eSATA 14P 2Layer DIP Male | APP BY: Hung |
| 0.000±0.1 | | MATL: ROHS | CHK BY: Cheryl |
| | | DWG. NO. C1643XXX14X | DR BY: Ader A042 |