

CUSTOMER COPY

*Oder Information

1643 XXX 20 X

2: Selective Gold
4: Selective Gold (Gold 15u")

No. Of Contact

Type:

018: Dip 1394+Double eSATA Black L:2.15
019: Dip 1394+Double eSATA Black L:3.10
020: Dip 1394+Double eSATA Red L:2.15
021: Dip 1394+Double eSATA Red L:3.10

NOTES:

*Material

Housing: Nylon66,UL 94-0 Rated
Retainer: Nylon66,UL 94-0 Rated
eSATA's Contact: Brass,Gold plating over Nickel on contact area; Tin Plating on Solder Tail.
1394's Contact: Brass,Gold plating over Nickel on contact area; Tin Plating on Solder Tail.
Shell(Outside): Brass, Nickel plating

*e SATA Electrical Specification

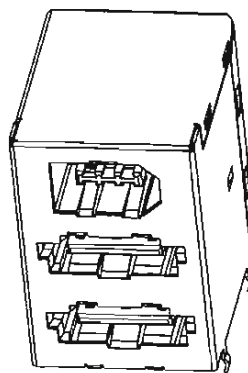
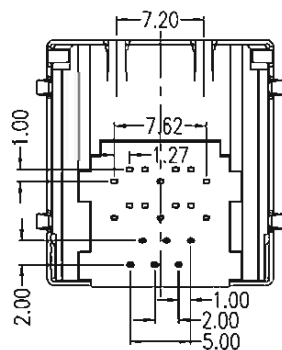
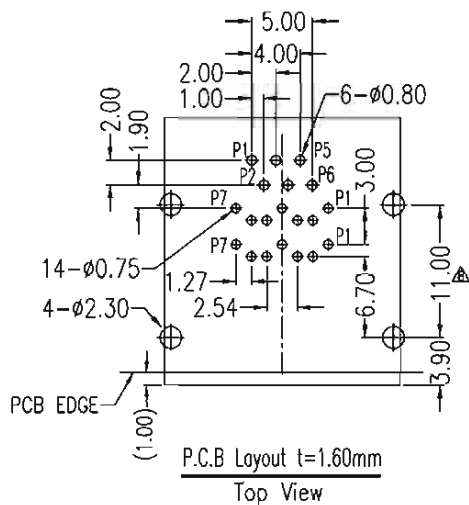
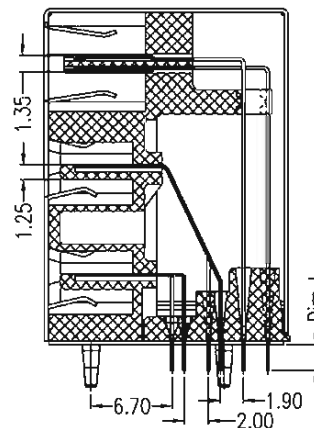
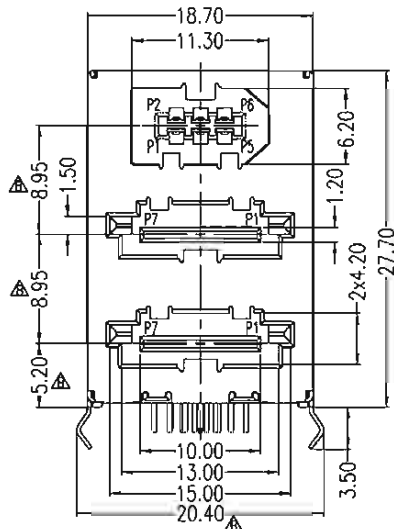
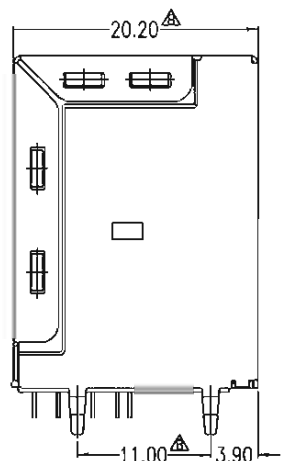
Operation Voltage:100 VAC max.
Current Rating: 1.5 Ampere per contact
Contact Resistance: 30mOHM Max
Insulation Resistance: 1000M OHM MIN
Dielectric Withstanding Voltage:500VAC.

*1394 Electrical Specification

Operation Voltage:40 VAC max.
Current Rating: 1.5 Ampere per contact
Contact Resistance: 30mOHM Max
Insulation Resistance: 100M OHM MIN
Dielectric Withstanding Voltage:500V AC.

*Environmental

Operating Temperature : -55°c to +125°c.



3D Drawing



鈺滿榮企業股份有限公司 ACMELUX CO., LTD.

TEL:886-2-85124595

FAX:886-2-85124322

0.0±0.30	SCALE:	TITLE:	PART NO:
0.00±0.20	UNIT: mm	IEEE 1394+Double eSATA Male CRT	APP BY: Hung
0.000±0.1		MATL: ROHS	CHK BY: Cheryl
DWG. NO. C1643XXX20X		DR BY: Ader	A042