

**CUSTOMER COPY**

REV.	DESCRIPTION	APP.	DATE
A	NEW DESIGN	Amos	2010-09-15

**ORDER INFORMATION**

188 80 00 XX 3

3:Plating Gold Flash

No. of Contact

00:W=8.3mm

Type

**Specifications**

Current Rating: 2Amp

Insulation Resistance: 1000MΩ Min.

Dielectric Withstanding: 500V AC/DC

Contact Resistance: 20mΩ Max.

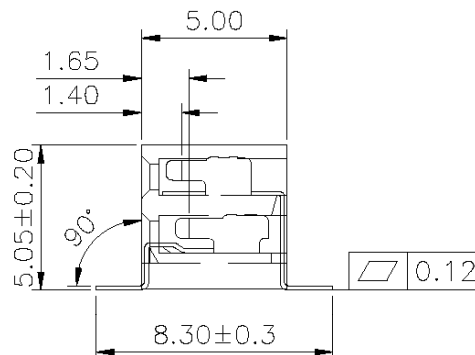
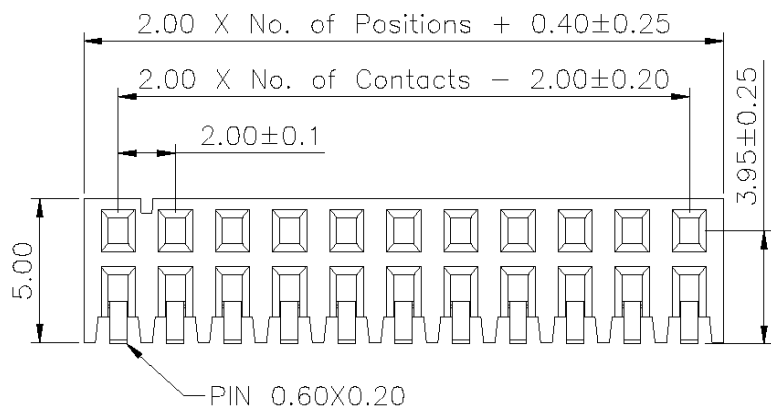
Operating Temperature: -40°C to +105°C

**Materials**

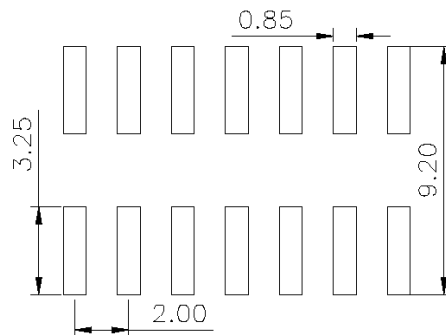
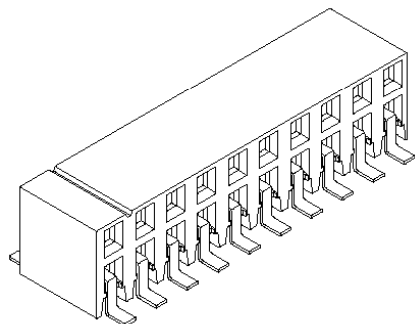
Contact Material: Phosphor Bronze

Insulation Material: Polyester, UL 94V-0  
NYLON-6T

All materials must be GP materials



**RECOMMENDED P.C.B LAYOUT**



鈺滿榮企業股份有限公司 **ACMELUX CO., LTD.**

TEL: 886-2-85124595 FAX: 886-2-85124322

0.0±0.30	Scale: 1:1	Title:	PART NO:
0.00±0.20	Unit: mm	Pitch 2.0mm Dual Rows Side Entry	APP BY: <i>Hung</i>
0.000±0.1		SMT Type Female Header Conn.	CHK BY: <i>Cheryl</i>
		Material: RoHS	DR BY: <i>Amos</i>
		DWG. NO. C1888000XX3	CO50