

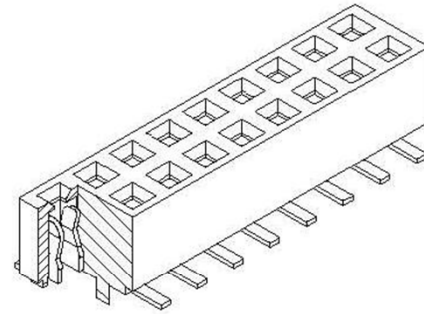
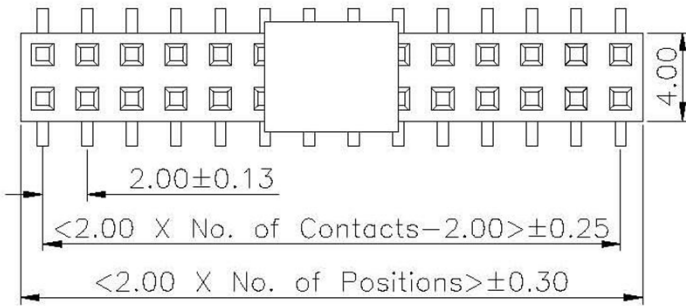
CUSTOMER COPY

REV.	DESCRIPTION	APP.	DATE
A	NEW DESIGN	Amos	2012-03-13

ORDER INFORMATION

188 61 XX XX X

- 2: Plating Selective Gold
- 3: Plating Gold Flash
- No. of Contact
- 00:H=4.3 W=6.2 膠寬=4.0
- 雙排 SMT+Cap Type Reel Packing



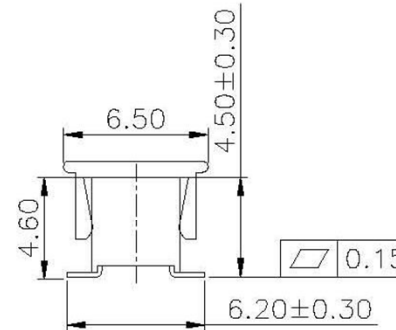
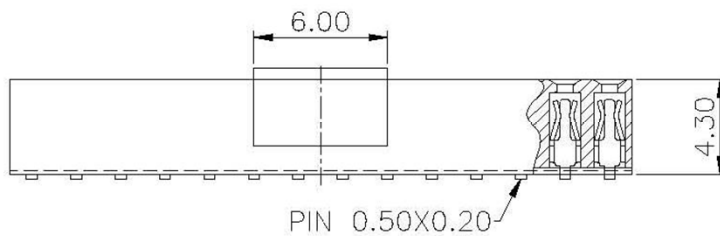
Specifications

- Current Rating: 2Amp
- Insulation Resistance: 1000MΩ Min.
- Dielectric Withstanding: 500V AC/DC
- Contact Resistance: 20mΩ Max.
- Operating Temperature: -40°C to +105°C

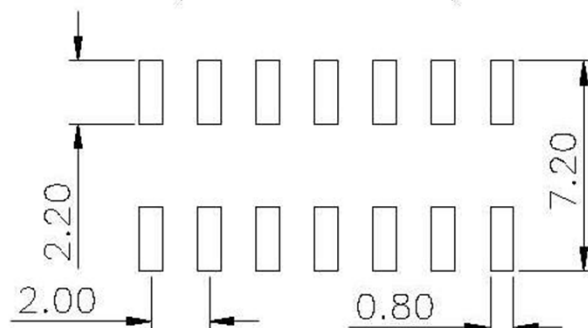
Materials

- Contact Material: Phosphor Bronze
- Insulation Material: Polyester, UL 94V-0 Nylon 6T

All materials must be GP materials



RECOMMENDED P.C.B HOLE LAYOUT
(Tolerance: ±0.05)



鈺滿榮企業股份有限公司 ACMELUX CO., LTD.

TEL: 886-2-85124595

FAX: 886-2-85124322

0.0±0.30	SCALE: 1:1	TITLE: Pitch 2.0mm Dual Rows SMT Type Base 4.3H Female Header Connector	PART NO:
0.00±0.20	UNIT: mm		APP BY: <i>Hung</i>
0.000±0.1			CHK BY: <i>Cheryl</i>
		MAT: RoHS	DR BY: <i>Amos</i>
		DWG. NO. C18861XXXXXX	CS00