

CUSTOMER COPY

REV.	DESCRIPTION	APP.	DATE
A	NEW DESIGN	Ader	20141021

*Oder Information

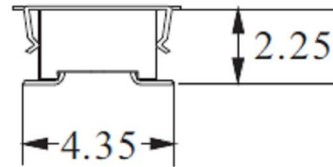
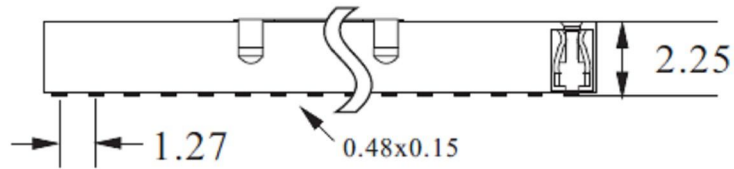
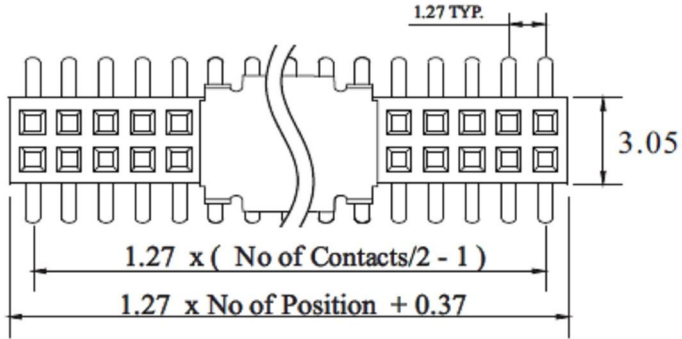
186 52 64 XX X

3:Gold Flash

No. Of Contact

H:2.25 W:4.35 Reel LCP

雙排 SMT + CAP



SPECIFICATIONS

Current rating : 1 Amps

Dielectric Withstanding : AC 500V

Contact resistance : 20 Milliohms Max.

Insulation resistance : 5000 Megohms Min.

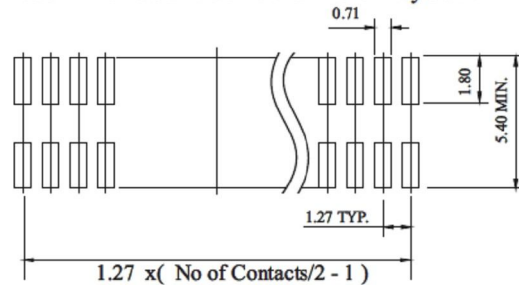
Temperature range : - 40°C ~ + 105°C

MATERIAL :

Housing : High Temperature Thermoplstic

Terminal : Phosphor Bronze

Recommended P.C.Board Hole Layout :



 鈺滿榮企業股份有限公司 ACMELUX CO., LTD. TEL:886-2-85124595 FAX:886-2-85124322			
0.0±0.30	SCALE:	TITLE:	PART NO:
0.00±0.20	UNIT: mm	1.27 雙排SMD排母	APP BY: Hung
0.000±0.1		MATL: RoHS	CHK BY: Cheryl
		DWC. NO. 1865264XXX	DR BY: Ader