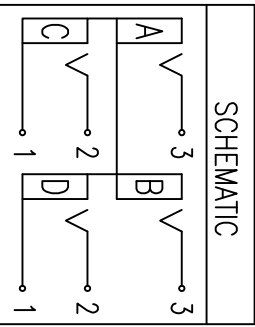
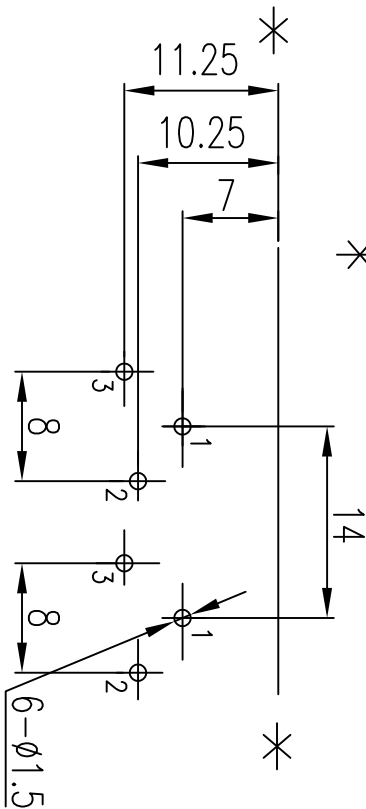
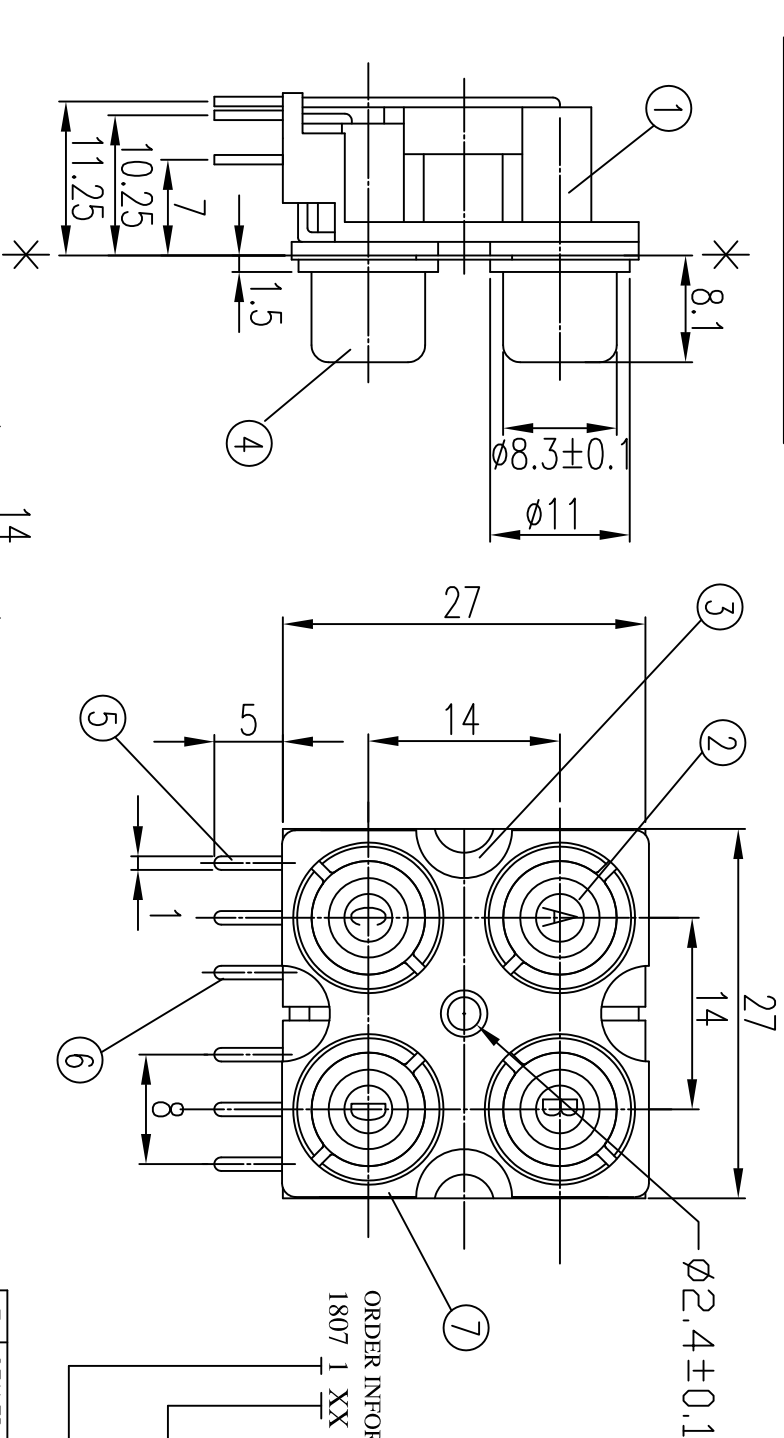
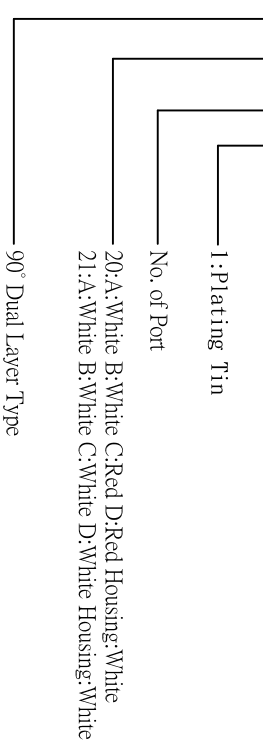


CUSTOMER COPY



Port Local	TYPE COLOR			
	A	B	C	D
20	白	白	紅	紅
21	白	白	白	白

ORDER INFORMATION  
1807 1 XX 04 1



LTR	PART NAME	QTY	MATERIAL	REMARK
7	SEALED PLATE	1	H62 t=0.3	MB:Cu Cu/Sn PLATED
6	TERMINAL	2	H65 t=0.4	MB:Cu Cu/Sn PLATED
5	TERMINAL	2	H65 t=0.4	MB:Cu Cu/Sn PLATED
4	OUTER CONTACT	2	H65 t=0.4	MB:Cu Cu/Sn PLATED
3	COVER	2	ABS	UL-94HB
2	WASHER	4	ABS	UL-94HB
1	HOUSING	1	ABS	UL-94HB



鈺滿榮企業股份有限公司 ACMELEX CO., LTD.  
 TEL:886-2-85124595 FAX:886-2-85124322

SCALE: 1:1	TITLE:	PART NO.:
0.04±0.30	PIN Jack Connector	
0.00±0.20		
0.000±0.1		

MATL:	CHK BY:	DR BY:
RoHS	Shung	Amos
	Cheryl	

T:1:6 Dimensions of PC board holes  
 Tolerance : ±0.1(Printed-bottom view)

REV.	DESCRIPTION	APP.	DATE
A	NEW DESIGN	Amos	2009-07-06