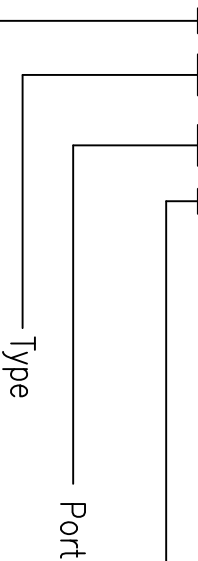


CUSTOMER COPY

ORDER INFORMATION
1807 1 XX 02 X

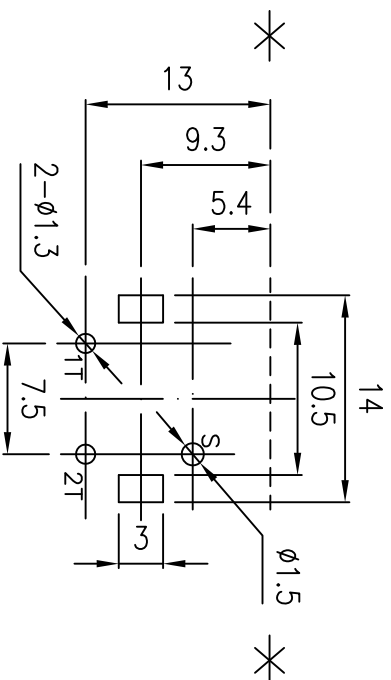
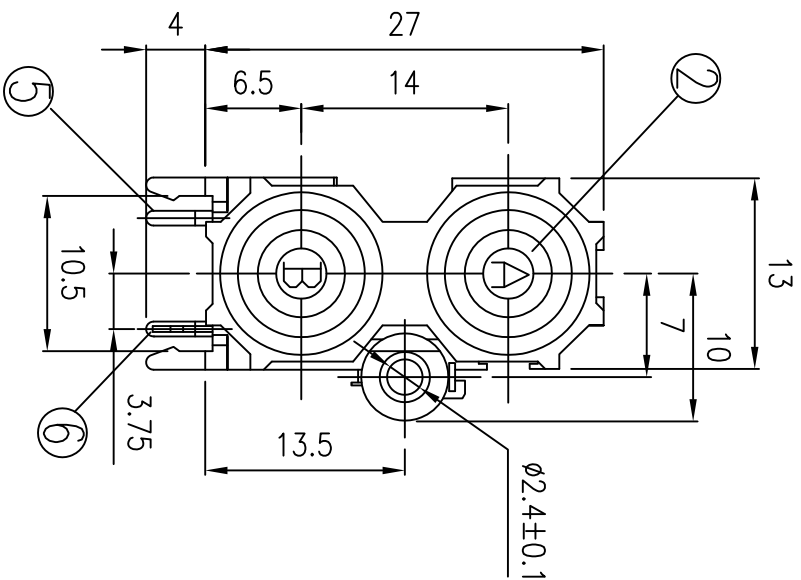
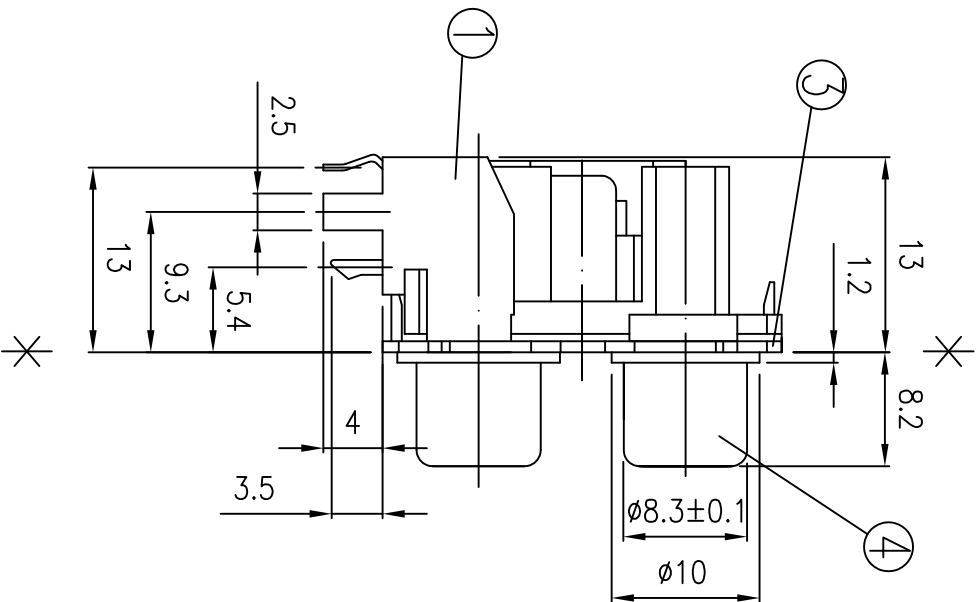
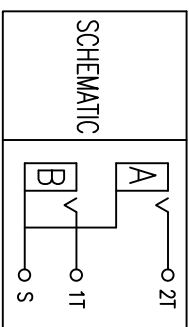
REV.	ECON. NO.	APP.	DATE
A	NEW DESIGN		

Plating:
1: Tin



Style
R/A (RoHS)

Type	A	B
97	Orange	Black
98	White	Red
99	Red	White



T:1.6 Dimensions of PC board holes
Tolerance : ±0.1(Printed-bottom view)

UNLESS OTHERWISE SPECIFIED, TOLERANCE ON DECIMAL: ±0.3

LTR	PART NAME	QTY	MATERIAL	REMARK
6	TERMINAL	1	BRASS t=0.4	MB:Cu Cu/Sn PLATED
5	TERMINAL	1	BRASS t=0.4	MB:Cu Cu/Sn PLATED
4	OUTER CONTACT	1	H65 t=0.4	MB:Cu Cu/Sn PLATED
3	COVER	1	ABS	
2	WASHER	1	ABS	
1	HOUSING	1	ABS	



ACMELUX CO., LTD.

TEL:886-85124595 FAX:886-85124322

0.0±	0.30	SCALE: 1:1
0.00±	0.20	UNIT: mm
0.000±	0.10	

TITLE: 2 Port Pin Jack

PART NO:

APP BY: *Stung*

CHK BY: *Cheryl*

MATL: RoHS

DR BY: *Amos*

DWG. NO. C18071XX02X A243