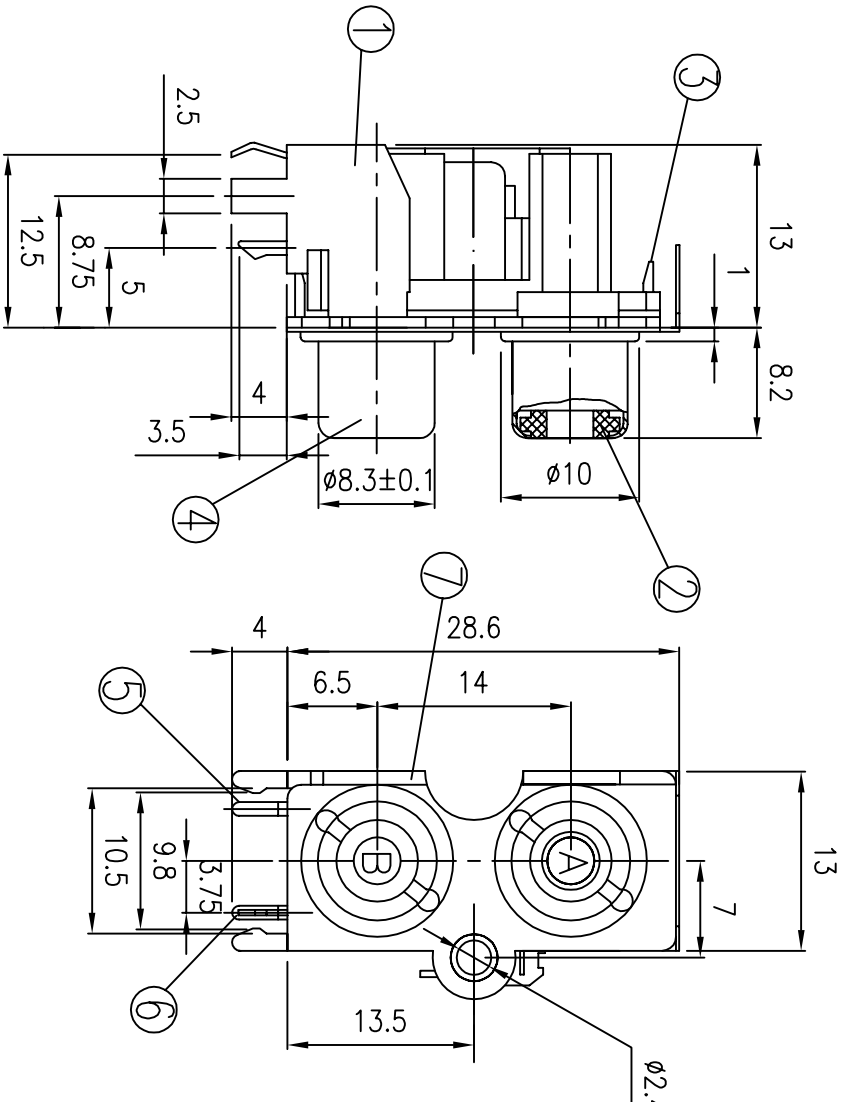
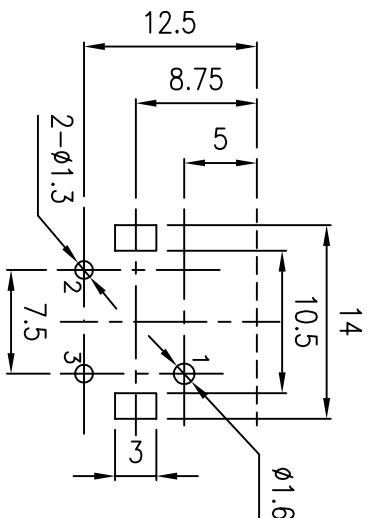


CUSTOMER COPY

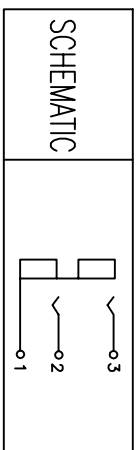


ORDER INFORMATION
 1807 0 7X 02 X
 Style R/A
 Type
 Port
 Plating:
 1: Tin

REV	ECN NO.	APP.	DATE
A	NEW DESIGN		



T:1.6 Dimensions of PC board holes
 Tolerance : ± 0.1 (Printed-bottom view)



NO.	A	B
79	RED	WHITE
80	WHITE	RED

LTR	PART NAME	QTY	MATERIAL	REMARK
7	SEALED PLATE	1	C2680	t=0.3
6	TERMINAL	1	C210	t=0.4
5	TERMINAL	1	C5210	t=0.4
4	OUTER CONTACT	1	C2680	t=0.4
3	COVER	1	ABS	UL-94HB
2	WASHER	2	ABS	UL-94HB
1	HOUSING	1	ABS	UL-94HB

ACMELUX CO., LTD.
 TEL:886-85124595 FAX:886-85124322

0.0± SCALE: 0.00± 0.30 UNIT: MM
 0.000±

TITLE: RCA JACK (SHELL)

PART NO: APP BY: CHK BY: DR BY: J.C

DWG. NO. C180707X2X A243