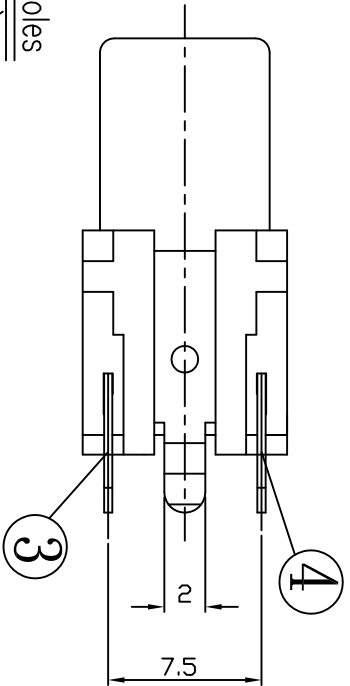
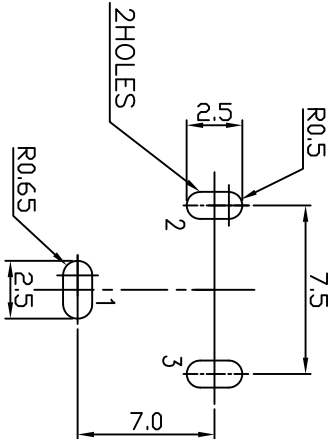
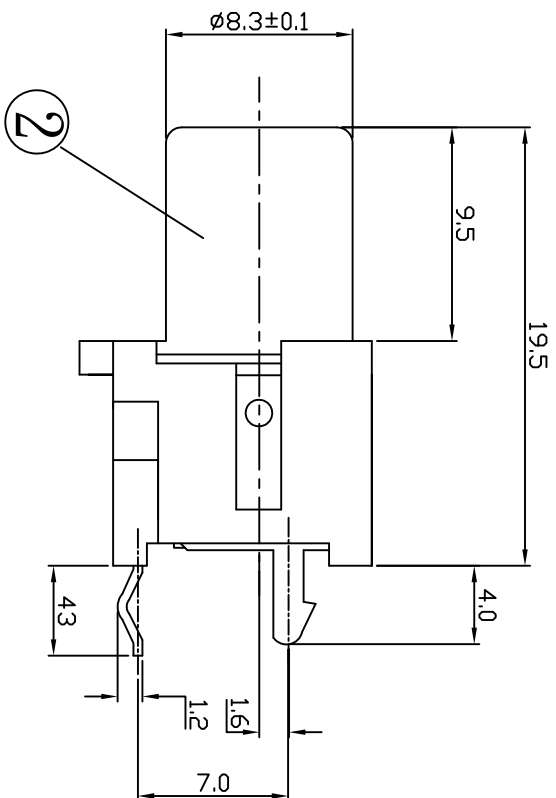
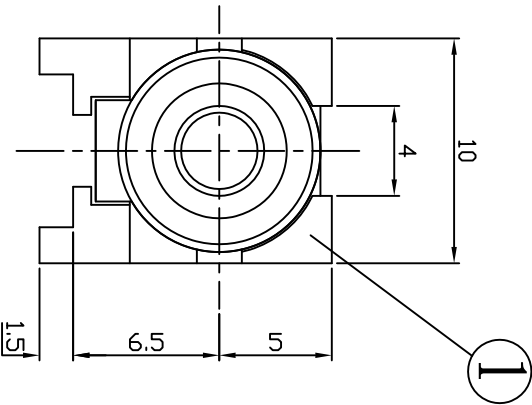
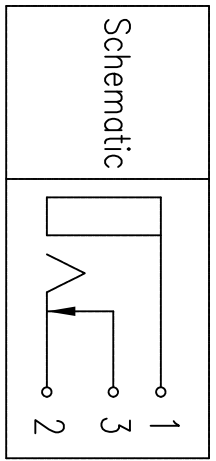
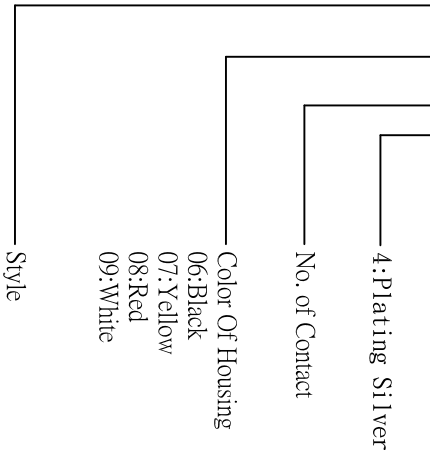


CUSTOMER COPY



ORDER INFORMATION
1806 54 XX 1 X



LTR	PART NAME	QTY	MATERIAL	REMARK
4	TIP SPRING	1	C2680 t=0.3	MB:Cu Ag PLATED
3	RING SPRING	1	C5191 t=0.3	MB:Cu Ag PLATED
2	OUTER CONTACT	1	C2680 t=0.4	MB:Cu Cu/Sn PLATED
1	HOUSING	1	PBT 4815	UL-94V0

I:1.6 Dimensions of PC board holes
Tolerance : ±0.1(Printed-top view)

0.0±0.30	SCALE: 1:1	TITLE:	PART NO:
0.00±0.20	UNIT: mm	Pin Jack Connector	APP BY: <i>Stung</i>
0.000±0.1			CHEK BY: <i>Cheryl</i>

MATL: RoHS	DWG. NO. C180654XX1X	DR BY: <i>Amos</i>	A243
------------	----------------------	--------------------	------



鈺滿榮企業股份有限公司 ACME LUX CO., LTD.
TEL:886-2-85124595 FAX:886-2-85124322

REV.	DESCRIPTION	APP.	DATE
A	NEW DESIGN		