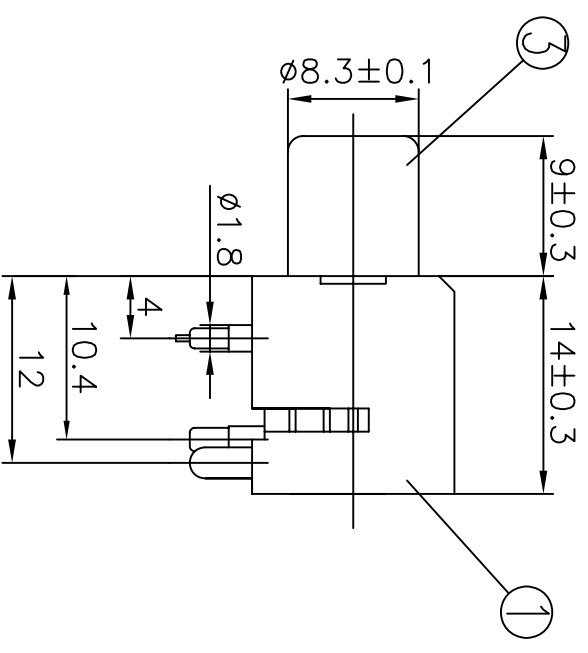
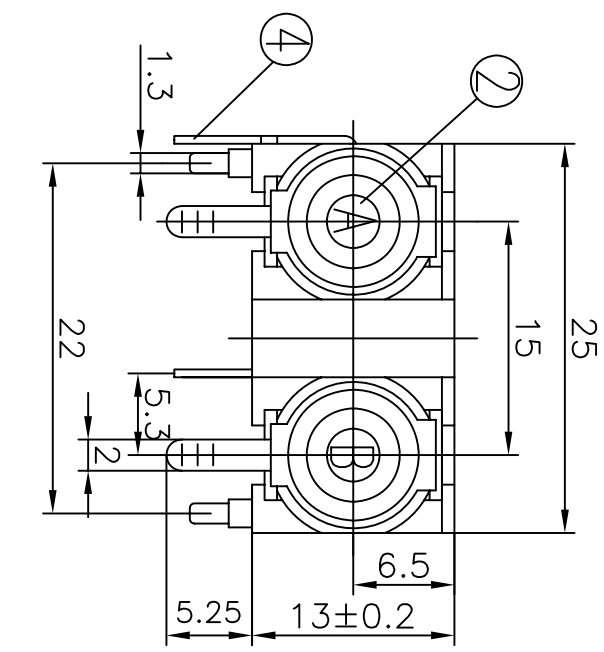


CUSTOMER COPY

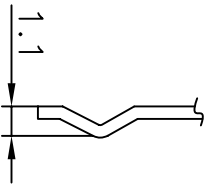
REV	ECN NO.	APP.	DATE
A	NEW DESIGN		



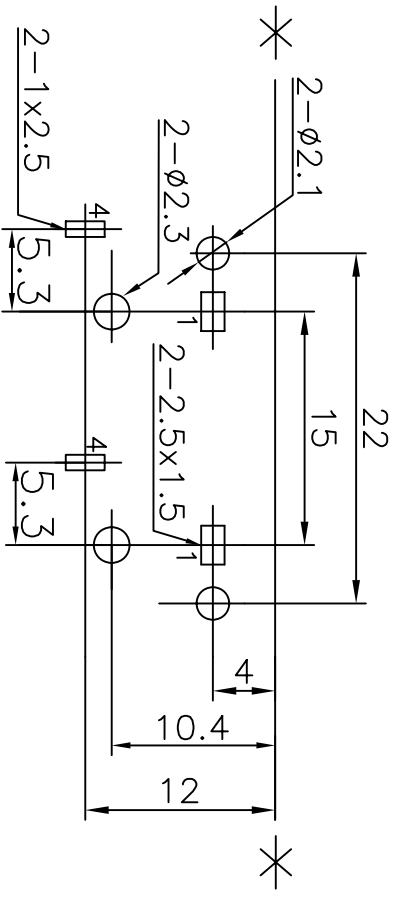
ORDER INFORMATION  
1806 02 XX 2 X

Plating: 1. Tin  
Port  
Type  
10: 白, 紅 (鍍銀頭) 黑塑膠  
11: 白, 紅 (鍍金頭) 白塑膠  
12: 白, 紅 (鍍金頭) 黑塑膠  
Style  
90°(ROHS)

白	紅
A	B
COLOR	



Outer Contact



LTR	PART NAME	QTY	MATERIAL	REMARK
4	TERMINAL	2	QSn6.5-0.1y	t=0.5 MB:Cu Cu/Sn PLATED
3	OUTER CONTACT	2	H65	t=0.4 MB:Cu Ni PLATED
2	WASHER	2	ABS	UL-94HB
1	HOUSING	1	ABS	UL-94HB

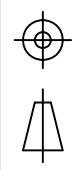


ACMELUX CO., LTD.  
TEL: 886-85124595 FAX: 886-85124322

0.0± 0.30 SCALE:	TITLE:	PART NO:	WTJ-032-27B
0.00± 0.20 UNIT: mm	PIN JACK	APP BY: HUNG	
0.000±0.10		CHK BY: CHERYL	

UNLESS OTHERWISE SPECIFIED, TOLERANCE ON DECIMAL: ±0.3

T:1.6 Dimensions of PC board holes  
Tolerance : ±0.1(Printed-bottom view)



MATL: ROHS	DR BY: ADER	A243
DWG. NO. C180602XX2X		