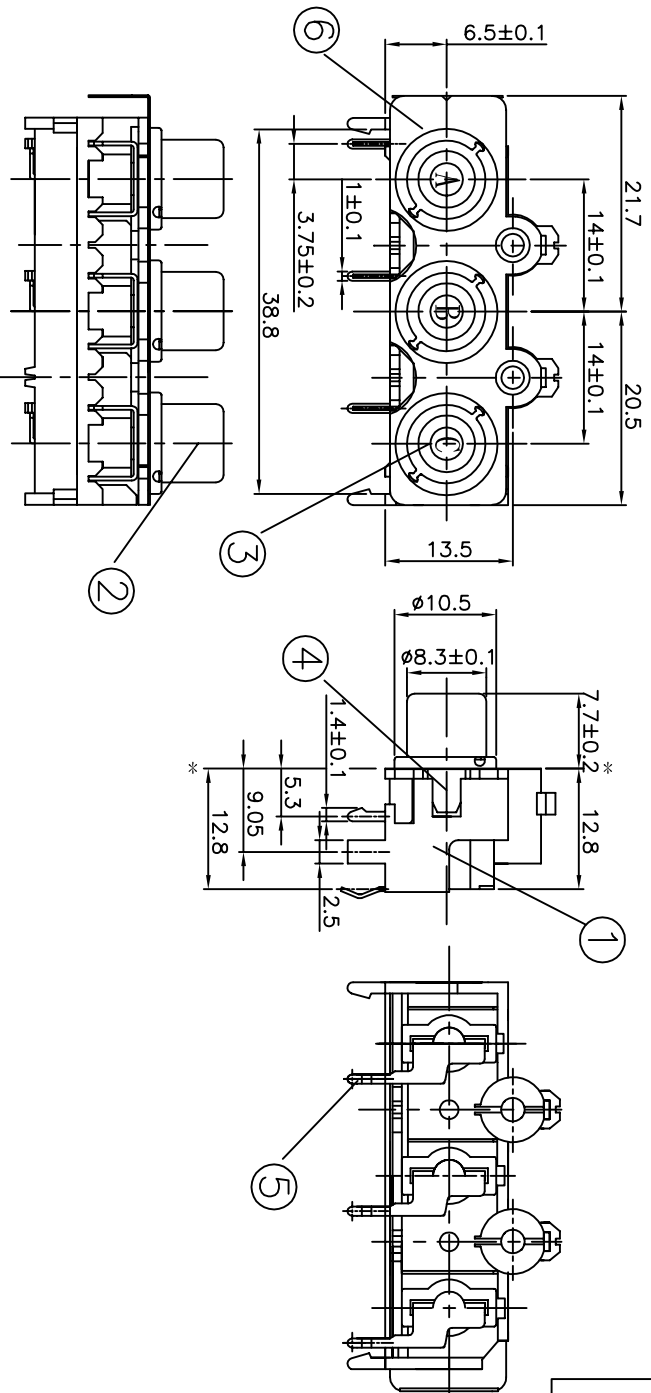


CUSTOMER COPY

ORDER INFORMATION  
1806 00 XX 3 X

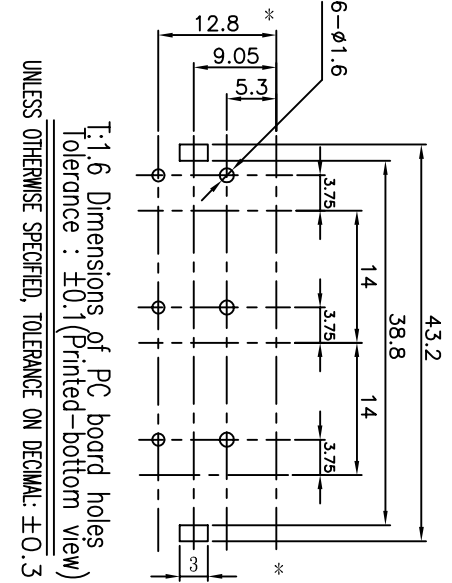
REV	ECON NO.	APP.	DATE
A	NEW DESIGN		

Plating: 1: Tin  
Port  
Type  
Style



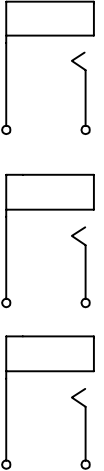
TYPE	COLOR		
	A	B	C
05	YELLOW	WHITE	RED
06	GREEN	BLUE	RED
07	RED	BLUE	GREEN
08	BLACK	RED	WHITE

LTR	PART NAME	QTY	MATERIAL	REMARK
6	SEALED PLATE	1	QSn6.5-0.1	t=0.4 MB-Cu Ni PLATED
5	TERMINAL	3	QSn6.5-0.1	t=0.4 MB-Cu Sn/Pb PLATED
4	COVER	1	ABS	
3	WASHER	3	ABS	
2	OUTER CONTACT	3	H65 t=0.4	MB-Cu Ni PLATED
1	HOUSING	1	ABS	



T:1.6 Dimensions of PC board holes  
Tolerance : ±0.1 (Printed-bottom view)  
UNLESS OTHERWISE SPECIFIED, TOLERANCE ON DECIMAL: ±0.3

SCHEMATIC



ACMELUX CO., LTD.

TEL: 886-85124595 FAX: 886-85124322

0.04 0.30 SCALE:

0.004 0.20 UNIT: MM

0.000±

TITLE:

RCA JACK

PART NO:

APP BY:

CHK BY:



MATL:

DWG. NO. C180600XX3X

DR BY: J.C

A243