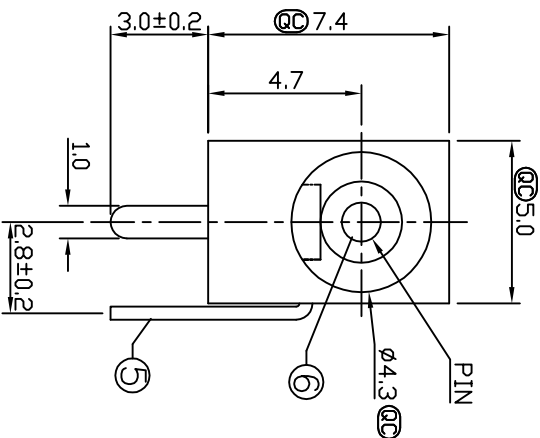
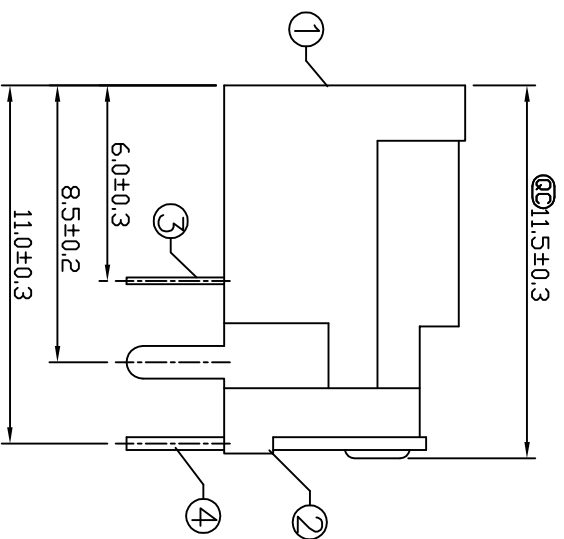
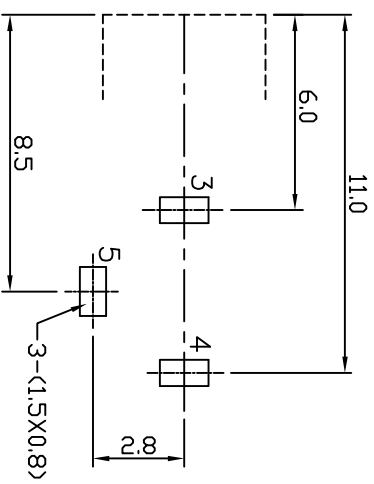


CUSTOMER COPY



P.C.B LAYOUT
TOP VIEW



SPECIFICATION

1. Rating : DC 30V 1.0A;
2. Contact resistance: $\leq 0.03 \Omega$;
3. Insulation resistance: $\geq 100M \Omega$ (DC500V) ;
4. Withstand voltage: 500VAC ;
5. Insertion and extraction force: 3-30N;
6. life test: 5, 000 cycles.

ORDER INFORMATION

1805 XX 00 3 X



PIN	SCHEMATIC
4	
5	
3	
1.0	
φ1.3	

NO.	DESCRIPTION	QTY	MATERIAL	REMARK
6	PIN	1	BRASS	Ni-Plating
5	CURVE PIECE	1	BRASS	Ag-Plating
4	PLAT PIECE	1	BRASS	Ag-Plating
3	SPRING	1	SUS	Ag-Plating
2	COVER	1	PBT	
1	HOUSING	1	PBT	



钰满荣企业股份有限公司 ACME LUX CO., LTD.

TEL:886-2-85124595 FAX:886-2-85124322

0.0±0.30	SCALE: 1:1	TITLE:	PART NO.:
0.00±0.25	UNIT: mm	DC Power Jack Connector	APP BY: Hung
0.000±0.2			CHK BY: Cheryl

	MATL: RoHS	DR BY: Amos
	DWG. NO. C1805XX003X	

REV.	DESCRIPTION	APP.	DATE
A	NEW DESIGN	Amos	2011-05-17

