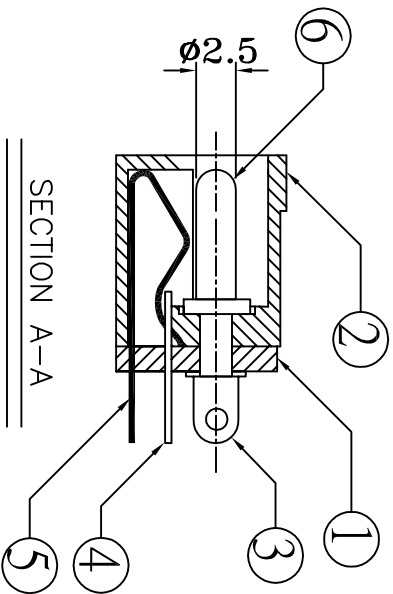
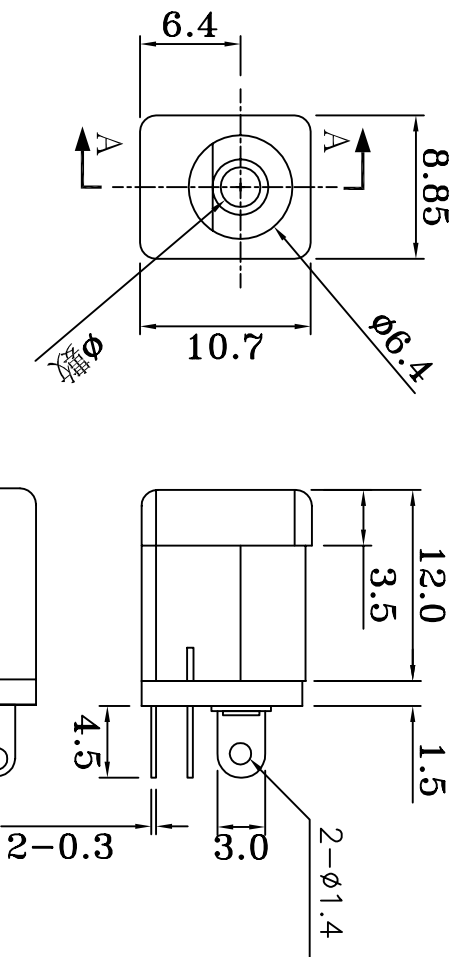
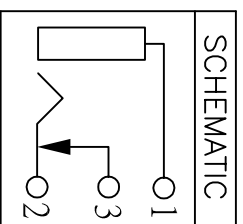
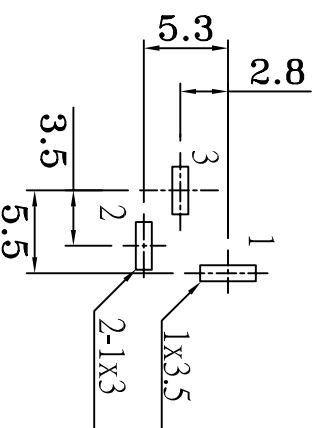
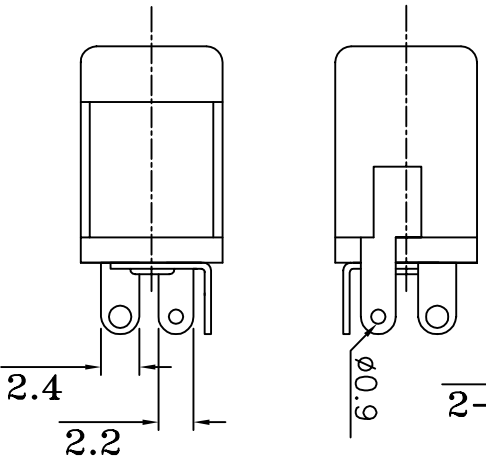
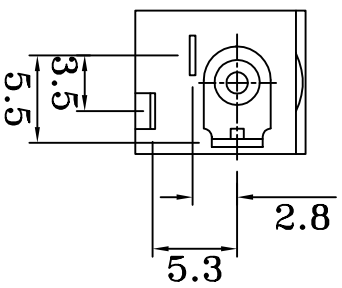


CUSTOMER COPY



ORDER INFORMATION
 1805 XX 00 3 X
 Plating:
 1: Tin
 No. of Contact
 Type
 PIN φ 數
 45: 2.0 180°
 65: 2.5 180°



PCB LAYOUT
 (BOTTOM VIEW)

NO.	NAME	MATERIAL	FINISH	Q'TY
1	HOUSING	P.B.T.	BLACK	1
2	COVER	BAKELITE	BLACK	1
3	PIN TERM.	BRASS 0.4THK	SILVER PLATED	1
4	BREAK TERM.	BRASS 0.4THK	SILVER PLATED	1
5	BREAK TERM.	PHOS. BRONZE	SILVER PLATED	1
6	CENTER PIN φ2.0/2.5	COPPER	NICKEL PLATED	1

		ACMELUX CO., LTD.	
		TEL:886-85124595	FAX:886-85124322
0.0F	0.30	SCALE:	2:1
0.00F		UNIT:	MM
0.000F		TITLE:	DC POWER JACK φ2.0/2.5 180°
MATL:		APP BY:	
DWG. NO. C1805XX00XX		CHK BY:	
		DR BY:	J.C

REV	ECN NO.	APP.	DATE
A	NEW DESIGN		