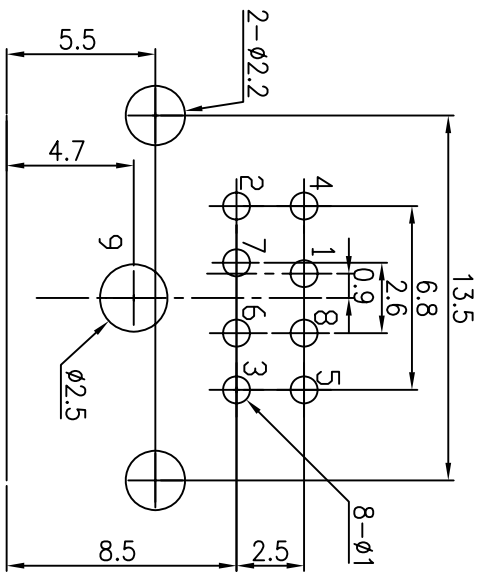
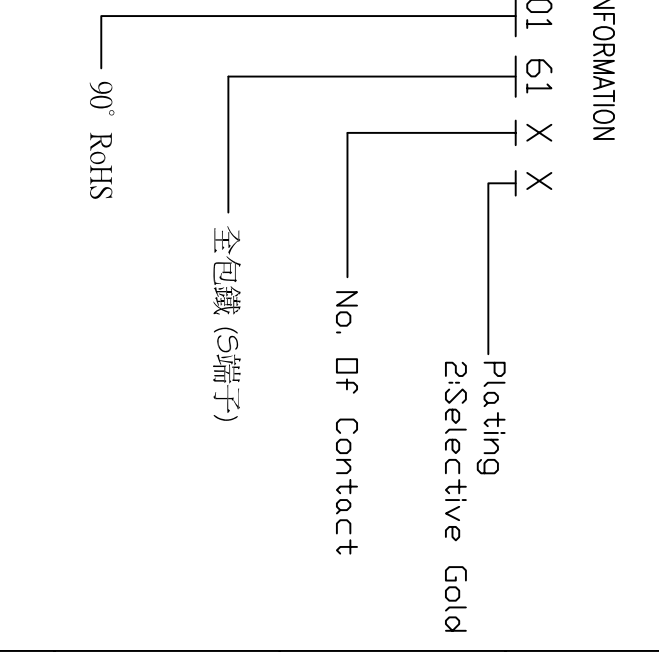
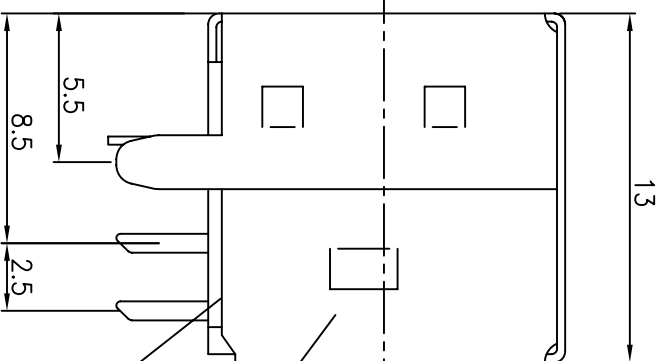
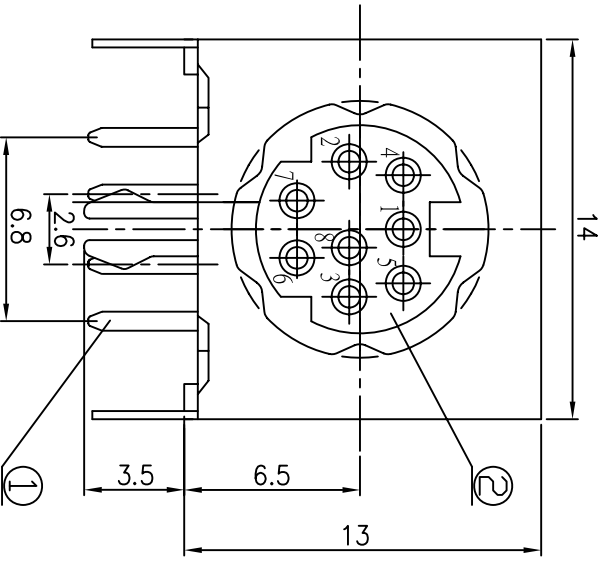


CUSTOMER COPY



ARRANGEMENT OF CONTACTS	1	2	3	4	5	6	7	8
PIN	1	2	3	4	5	6	7	8
4 SEALED PLATE	1	2	3	4	5	6	7	8
3 COVER	1	2	3	4	5	6	7	8
2 HOUSING	1	2	3	4	5	6	7	8
1 TERMINAL	1	2	3	4	5	6	7	8
LTR PART NAME	QSN6.5-0.1Y	t=0.2	MB:Cu	Ag	PLATED			
QTY	8							
MATERIAL(THICK,COLOR)								
REMARK								

T:1.6 Dimensions of PC board holes
Tolerance : ±0.1(Printed-top view)

UNLESS OTHERWISE SPECIFIED, TOLERANCE ON DECIMAL:±0.3

ORDER INFORMATION

1804 01 61 X X

Plating
2:Selective Gold

No. Of Contact

全包鐵 (5端子)

90° RoHS



ACMELUX CO., LTD.

TEL:886-85124595 FAX:886-85124322

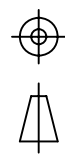
S JACK

0.04 0.30 SCALE: 1:1
0.00± 0.20 UNIT: mm
0.000±0.10

PART NO:

APP BY: *Stung*

CHK BY: *Cheryl*



MATL: ROHS
DWG. NO. C18040161XX

DR BY: *Amos*

A243