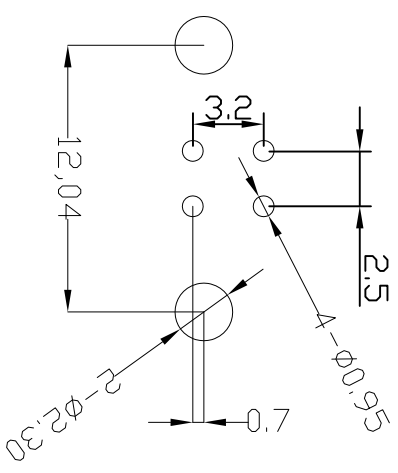
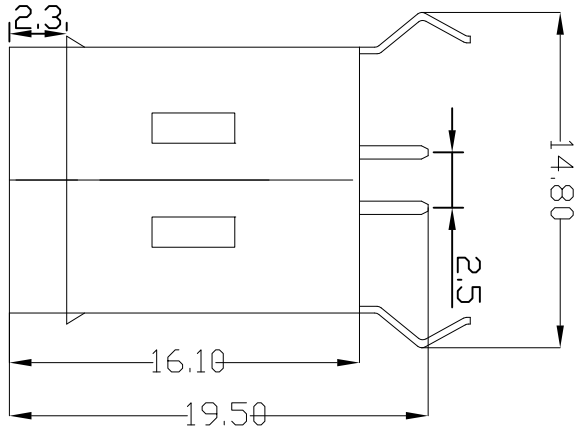
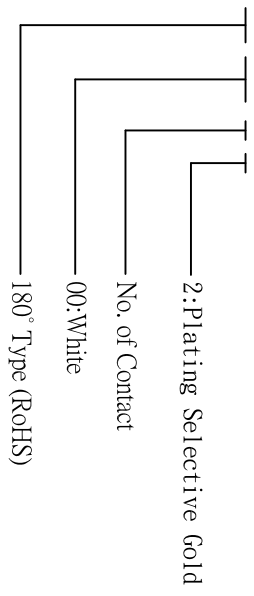


CUSTOMER COPY

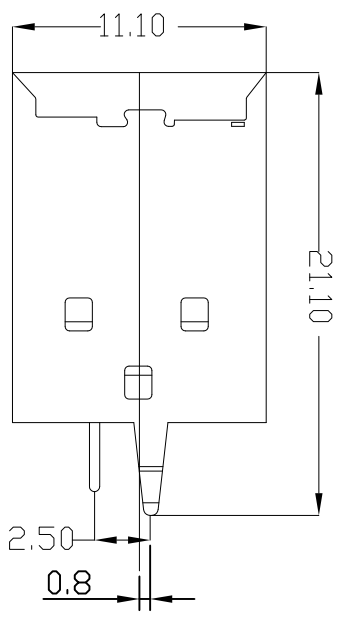
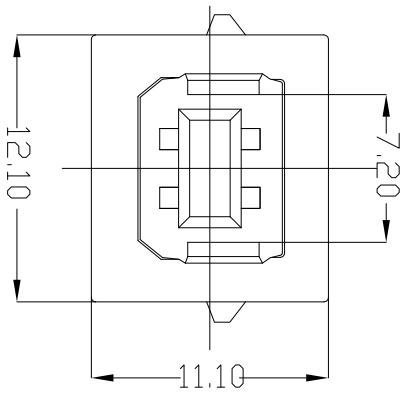
REV.	DESCRIPTION	APP.	DATE
A	NEW DESIGN	Amos	2010-07-01

ORDER INFORMATION

1803 06 XX 4 X



RECOMMEND PCB LAYOUT <±0.05>



Material:

- A. Insulator : PBT, G.F. UL94-V0
- B. Contact : Brass
- C. Shell : Meta T=0.30mm
- D. Finish :
  - Contact = Gold plated on contact area & Tin plated on terminal area
  - Shell = Nickel plated.



<p>钰满架企业股份有限公司 TEL:886-2-85124595</p>		<p>ACMELUX CO., LTD. FAX:886-2-85124322</p>	
0.04±0.30	Scale: 1:1	Title:	PART NO:
0.00±0.20	Unit: mm	180° DIP Female B Type USB Connector	APP BY: <i>Hung</i>
0.000±0.1		Material: RoHS	CHK BY: <i>Shengyi</i>
		DWG. NO. C180306XX4X	DR BY: <i>Amos</i>