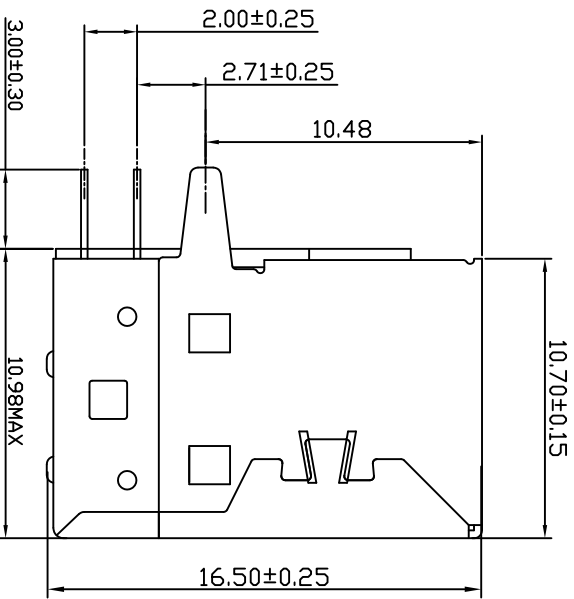
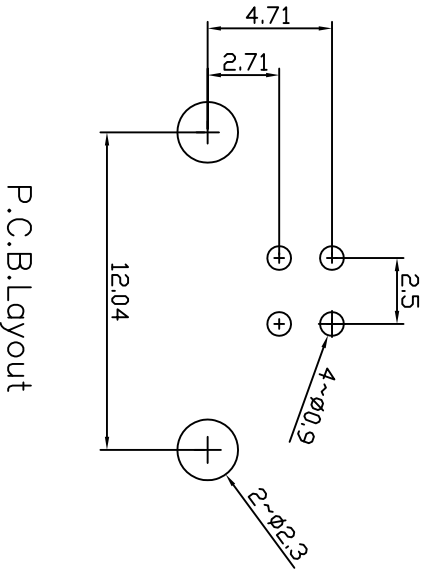
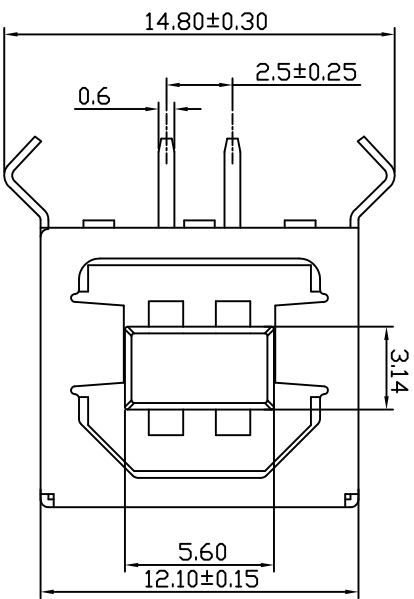
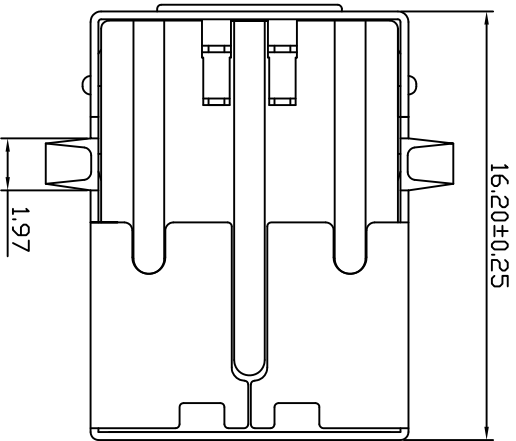
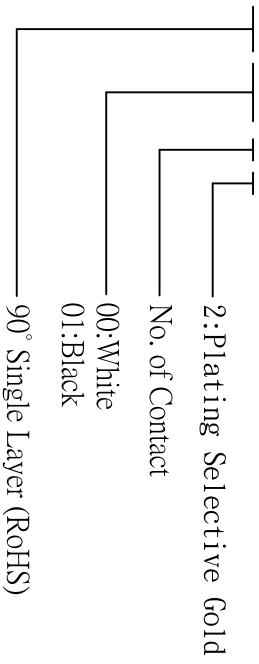


CUSTOMER COPY



ORDER INFORMATION  
1803 02 XX 4 2



**Material:**

- A. Insulator : PBT.G.F. UL94-V0
  - B. Contact : BRASS T=0.25mm
  - C. Shell : IRON. T=0.30mm
  - D. Finish : Gold plated on contact area & Tin plated on terminal area
- Shell = Nickel plated.



REV.	DESCRIPTION	APP.	DATE
A	NEW DESIGN	Amos	2010-08-02

<p>钰满棠企业股份有限公司 ACMELUX CO., LTD. TEL:886-2-85124595 FAX:886-2-85124322</p>		PART NO: APP BY: <i>Slung</i> CHK BY: <i>Chongyl</i>	
0.0±0.30	Scale: 1:1	Title: Dip 90° Female B-Type USB Connector	
0.00±0.20	Unit: mm	Material: RoHS	DR BY: <i>Amos</i>
0.000±0.1		DWG. NO. C180302XX42	DATE: A292

P.C.B. Layout