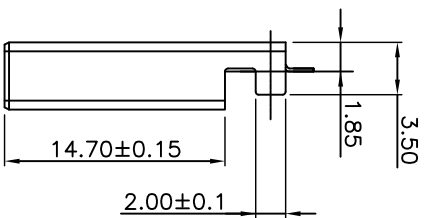
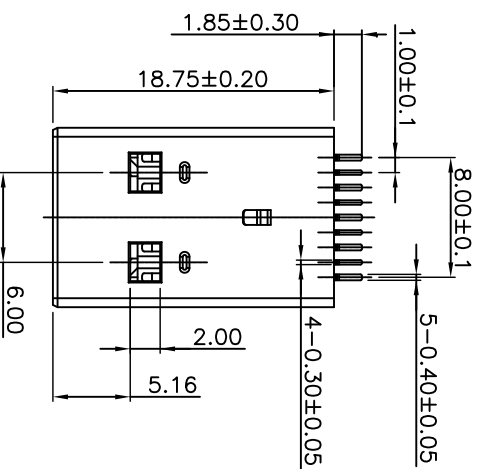
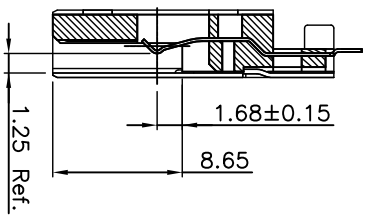
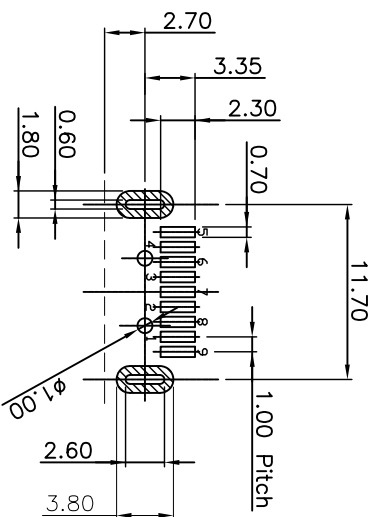


CUSTOMER COPY

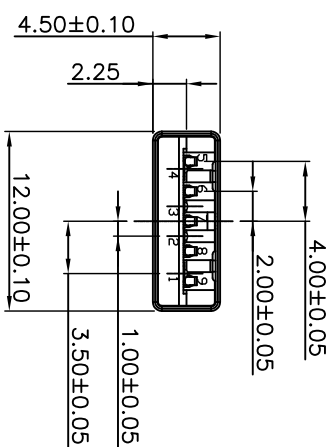


ORDER INFORMATION
1802 78 99 9 X

6:Plating
Selective Gold 2u"
No. of Contact
3.0 無柱腳 Reel包裝
沉板 SMT Type



RECOMMENDED P.C.B LAYOUT



Material:

- A. Insulator : Thermoplastic G.F. UL94V-0.
- B. Contacts : Copper Alloy.
- C. Shell : Metal.
- D. Environmental : -55 °C to +105 °C



鈺滿榮企業股份有限公司 ACMELUX CO., LTD.
TEL:886-2-85124595 FAX:886-2-85124322

0.0±0.30	SCALE: 1:1	TITLE:	PART NO:
0.00±0.20	UNIT: mm	沉板 SMT Male A Type	APP BY: <i>Stung</i>
0.000±0.1		USB 3.0 Connector	CHK BY: <i>Cherryll</i>



MATL: RoHS	DR BY: <i>Amos</i>
DWG. NO. C180278999X	A292