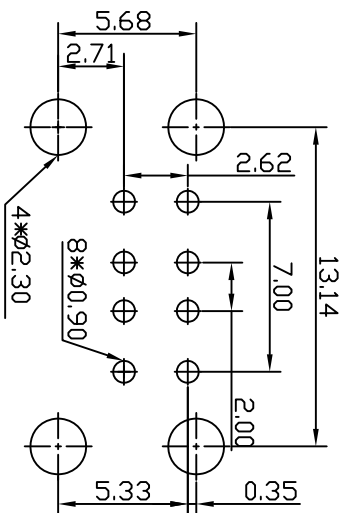
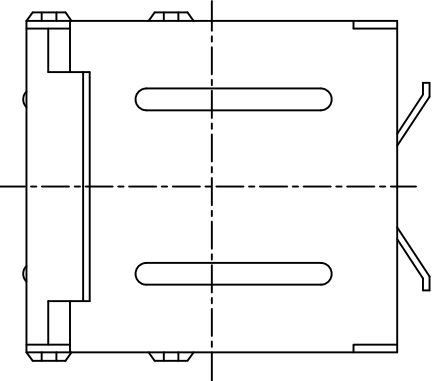
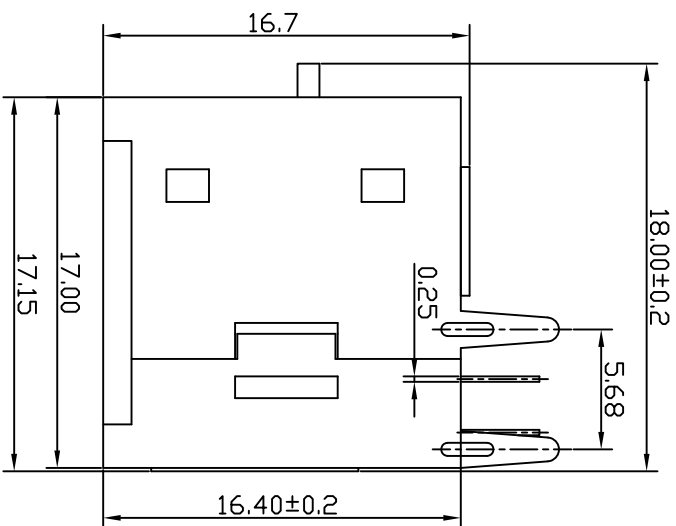
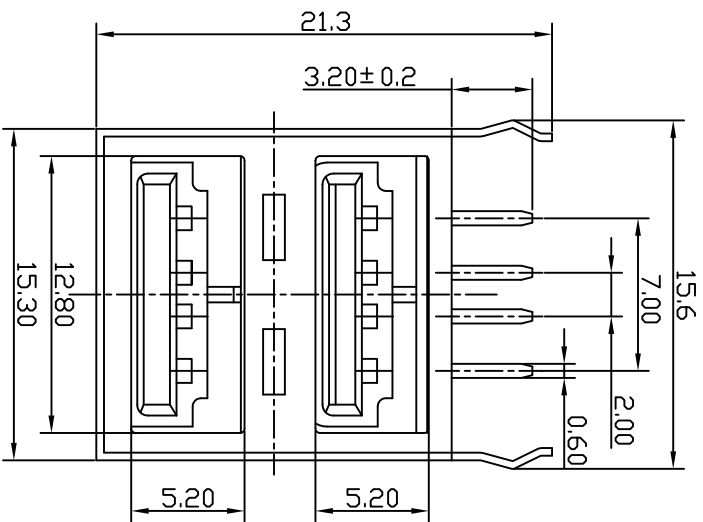


CUSTOMER COPY



REV.	DESCRIPTION	APP.	DATE
A	NEW DESIGN	Amos	2011-10-25

ORDER INFORMATION  
1802 26 XX 4 X

- 2:Plating Selective Gold
- 4:Plating Selective Gold (Gold 30u")
- No. of Contact
- 02:White 全包
- 03:Black 全包
- Dual Layer 90° Spring Type

**Material:**

- A. Insulator : PBT, G.F. UL94-V0
- B. Contact : BRASS T=0.25mm
- C. Shell : IRON T=0.30mm
- D. Finish :  
 Contact = Gold plated on contact area & Tin plated on terminal area  
 Shell = Nickel plated.



钰满荣企业股份有限公司 ACMELUX CO., LTD.  
TEL:886-2-85124595 FAX:886-2-85124322

0.0±0.30	SCALE: 1:1	TITLE:	PART NO:
0.00±0.20	UNIT: mm	Double Layer Female 全包 DIP	APP BY: Hung
0.000±0.1		A Type USB Connector	CHK BY: Cheryl
		MATL: RoHS	DR BY: Amos
		DWG. NO. C180226XX4X	A292

P.C.b LAYOUT