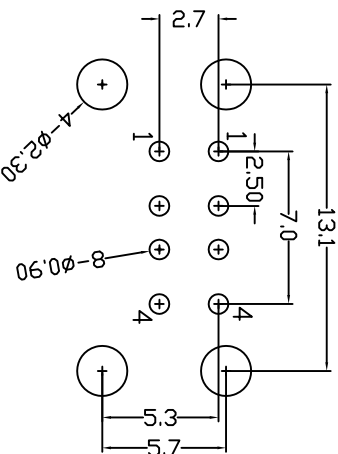
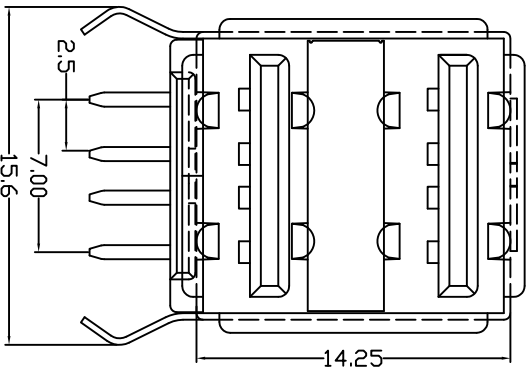
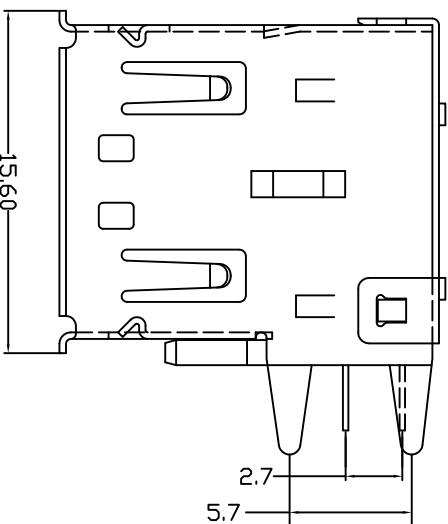
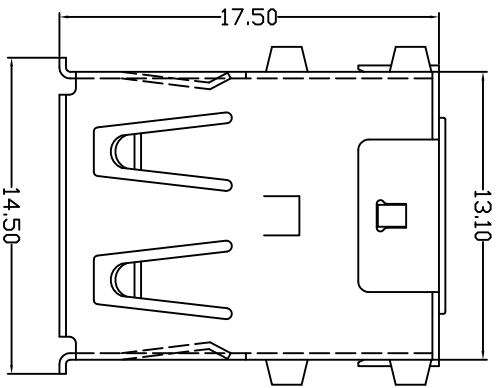


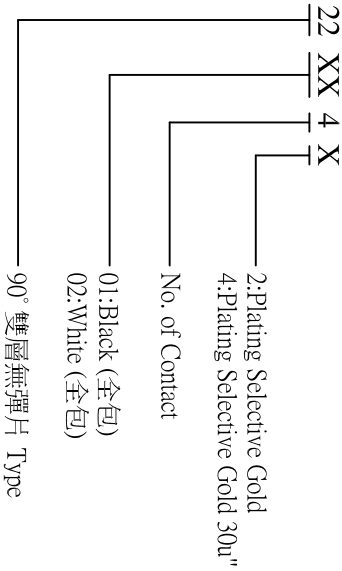
CUSTOMER COPY



PCB LAYOUT

ORDER INFORMATION

1802 22 XX 4 X




Material:

- A. HOUSING: PBT GLASS FIBRE UL94 V-0.
- B. CONTACT: BRASS T=0.25mm.
(SURFACE PLATING: Au1u"+Sn80~100u"+Ni60u")
- C. SHEEL: IRON T=0.30mm
(SURFACE PLATING: Cu80~100u" Ni100~120u")



REV.	DESCRIPTION	APP.	DATE
A	NEW DESIGN	Amos	2013-03-18


鈺滿榮企業股份有限公司 ACMELUX CO., LTD.
 TEL: 886-2-85124595 FAX: 886-2-85124322

0.0±0.30	SCALE: 1:1	TITLE:	PART NO.:
0.00±0.25	UNIT: mm	8P DIP Female A Type USB Connector	APP BY: <i>Stung</i>
0.000±0.2		MATL: RoHS	CHK BY: <i>Cheryl</i>
		DWG. NO. C180222XX4X	DR BY: <i>Amos</i>
			A292