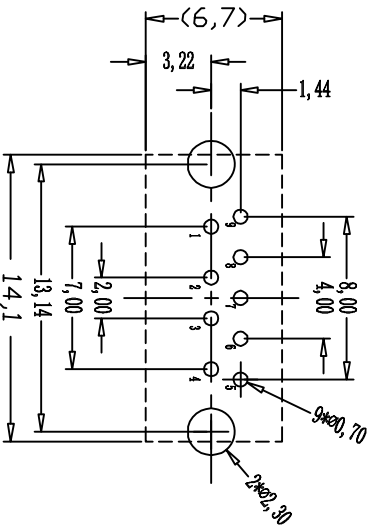
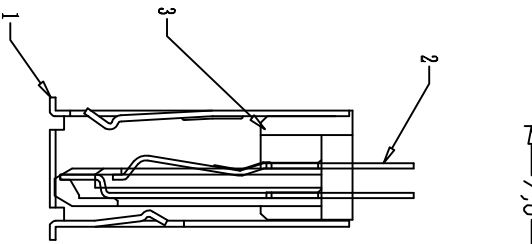
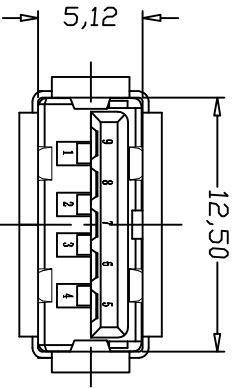
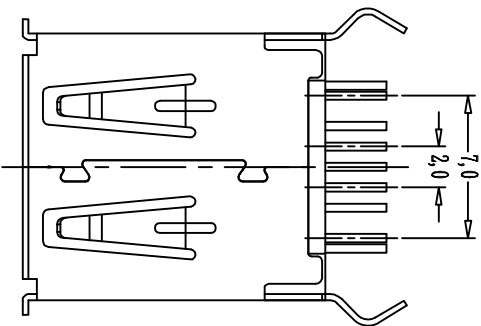
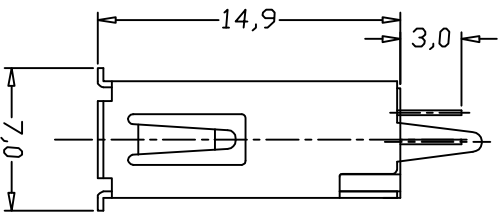
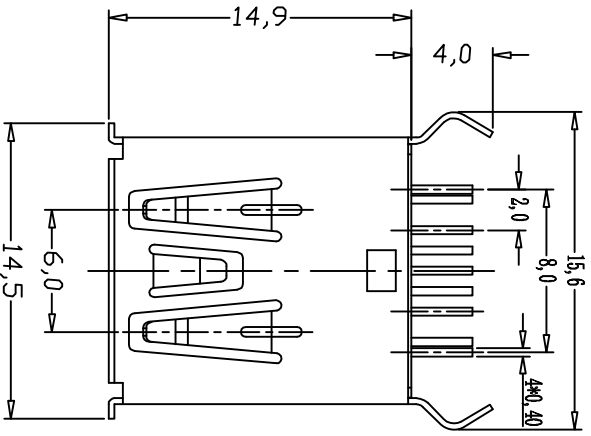
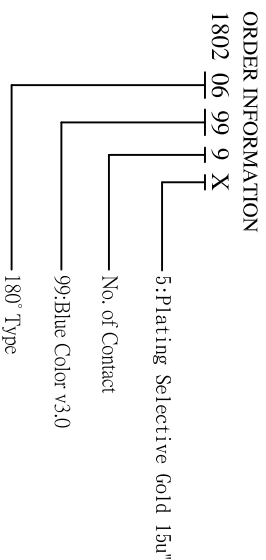


CUSTOMER COPY



P. C. B. LAYOUT



ORDER INFORMATION
1802 06 99 9 X

REV.	DESCRIPTION	APP.	DATE
A	NEW DESIGN	Amos	2012-03-22

NOTE:


1. MATERIAL: SEE TABLE
2. ELECTRICAL CHARACTERISTICS: VOLTAGE CURRENT RATING: 1.0AMP/30V AC CONTACT RESISTANCE: 30mΩ MAX INSULATION RESISTANCE: 1000MΩ/MIN. DIELECTRIC WITHSTANDING VOLTAGE: 500V AC TEMPERATURE RANGE: -25°C/+85°C
3. MECHANICAL CHARACTERISTICS: MATING FORCE: 40N(4.0KG) MAX UNMATING FORCE: 10N(1.02KG) MIN CONTACT RETENTION FORCE: 1.47N(0.15KG) MIN DURABILITY: 5000 TIMES MATING/UNMATING CYCLES
4. MARKED SHOULD BE MEASURED BY FAI
5. GP PASS AS THE ROHS-002591

USB3.0 Standard-A Connector Pin Assignments

Pin	Signal Name	Description
1	VBUS	Power
2	D-	USB 2.0 differential pair
3	D+	USB 2.0 differential pair
4	GND	Ground for power return
5	StDA_SSRX-	SuperSpeed receiver differential pair
6	StDA_SSRX+	SuperSpeed receiver differential pair
7	GND_DRAIN	Ground for signal return
8	StDA_SSTX-	SuperSpeed transmitter differential pair
9	StDA_SSTX+	SuperSpeed transmitter differential pair
	Shell	Connector metal shell



ITEM	PARTS NAME	QTY	MATERIAL	FINISH/REMARK
1	HOUSING	1	High-temperature PBT UL 94V-0	COLOR: BLUE
2	SHELL	1	BRASS	T=0.3mm 50µ" NICKEL PLATING
3	PIN A	4	Phosphor Bronze	T=0.25mm 3µ" GOLD/TALS: 100µ" TIN/LEAD FREE
4	PIN B	5	Phosphor Bronze	T=0.25mm 3µ" GOLD/TALS: 100µ" TIN/LEAD FREE


钰满荣企业股份有限公司 ACMELUX CO., LTD.
 TEL: 886-2-85124595 FAX: 886-2-85124322

TITLE: Female DIP A Type USB 3.0 Connector
 SCALE: 1:1
 UNIT: mm

MATL: RoHS
 DWG. NO. C180206999X

PART NO:
 APP BY: *Stung*
 CHK BY: *Cheryl*
 DR BY: *Amos*

