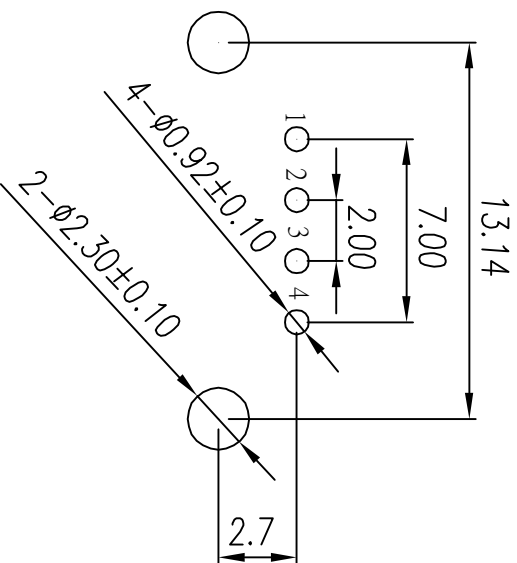
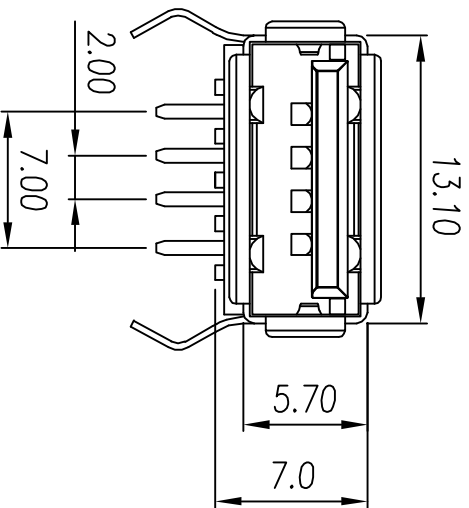
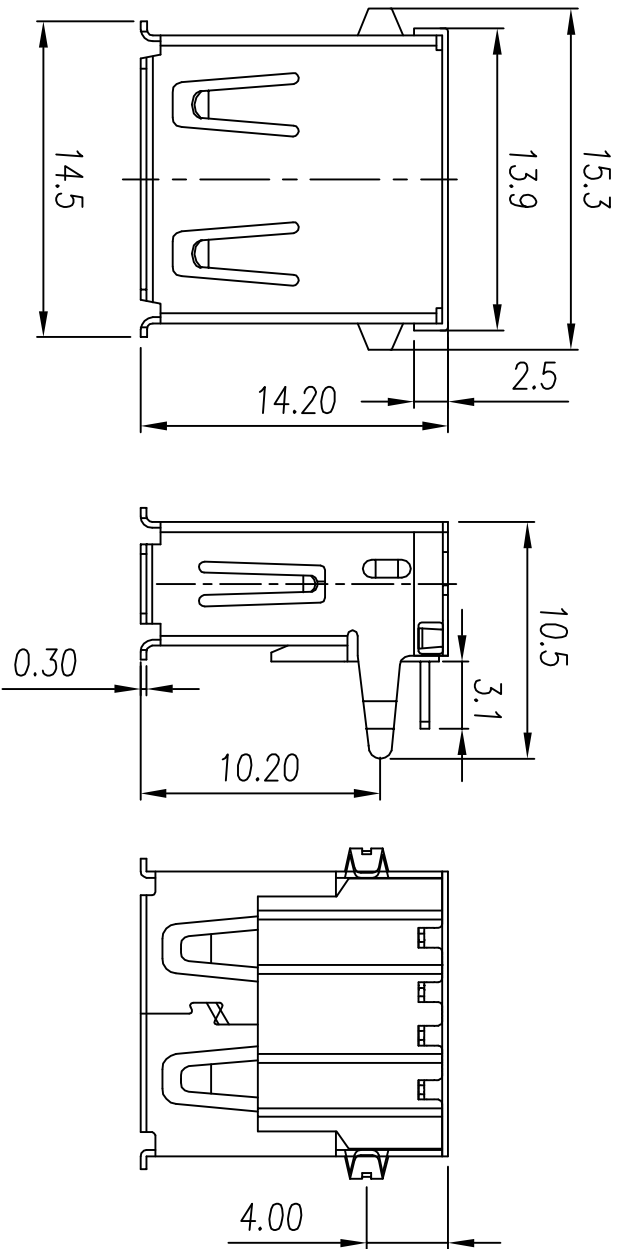
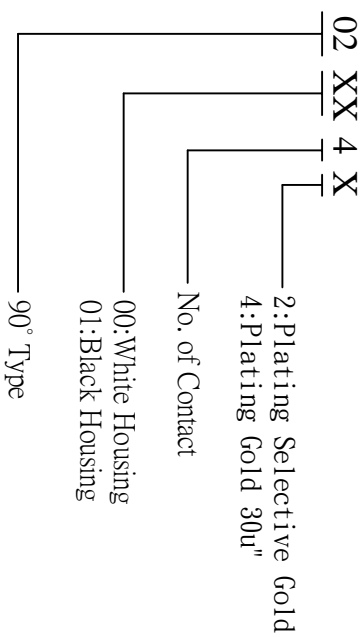


CUSTOMER COPY



RECOMMENDED P.C.B. PATTERN LAYOUT

ORDER INFORMATION
1802 02 XX 4 X



Material:

- (1). Insulator : PBT+30% .G.F. UL 94-V0
- (2). Contact : Brass.
- (3). Shell : Brass.
- (4). Finish :
Contact = Gold plated on contact area & Lead plated on terminal area
Shell = Nickel plated.



钰满荣企业股份有限公司 ACMELUX CO., LTD.

TEL: 886-2-85124595

FAX: 886-2-85124322

| | | | |
|------------|------------|-----------------------|------------------------|
| 0.0±0.30 | SCALE: 1:1 | TITLE: | PART NO.: |
| 0.00±0.25 | UNIT: mm | 90° Female DIP A Type | APP BY: <i>Stung</i> |
| 0.000±0.10 | | USB Connector | CHK BY: <i>Cherryl</i> |
| | | MATL: RoHS | DR BY: <i>Amos</i> |
| | | DWG. NO. C180202XX4X | A292 |

| REV. | DESCRIPTION | APP. | DATE |
|------|-------------|--------|------------|
| A | NEW DESIGN | Cheryl | 2008-10-06 |