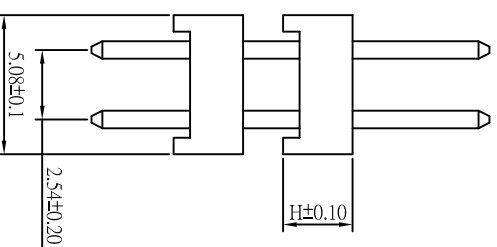
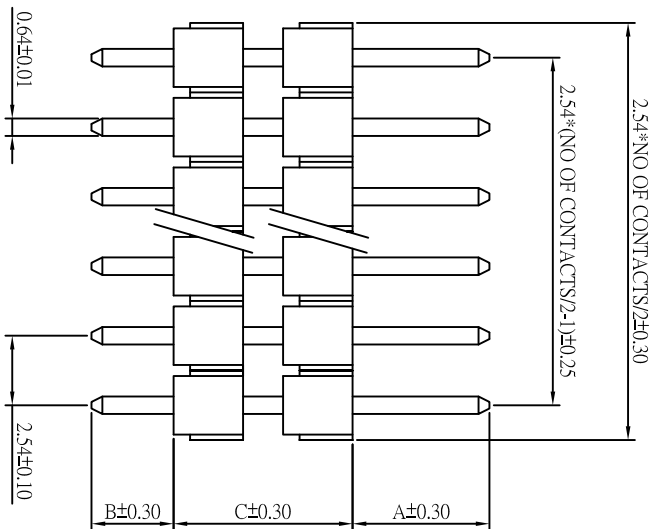
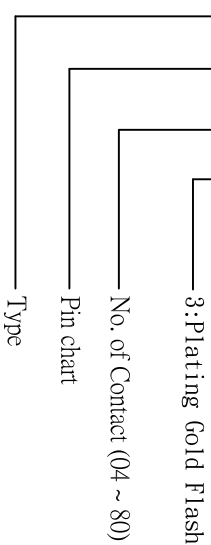


CUSTOMER COPY



ORDER INFORMATION

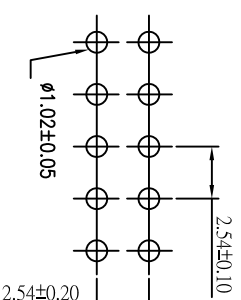
174 68 XX XX X



SPECIFICATION

MATERIAL

- * Current Rating: 3 A
- * Withstanding Voltage: 800 VAC (1 min.)
- * Insulation Resistance: 1000 Megohms min.
- * Contact Resistance: 30 Milliohms max.
- * Operating Temperature: -40°C to +85°C
- * Retention Force: 750g MIN.
- * Plating: Gold
- * Insulator: High temperature plastic.
- * Contact: Brass, 0.64mm square post



Recommended P.C. Board Hole Layout

Pin Chart

No.	A	B	C	H
00	6.00	3.00	11.00	2.54
01	6.00	3.00	17.00	2.54
02	6.00	3.00	12.00	2.54
03	5.20	4.10	14.70	2.54
04	5.80	3.00	9.20	2.54
05	5.50	3.00	16.50	2.54
06	7.00	3.00	11.00	2.54
07	4.00	3.00	12.00	2.54
08	5.50	3.00	6.50	2.54
09	6.00	3.00	13.00	2.54
10	6.00	3.00	7.50	2.54

Pin Chart

No.	A	B	C	H
11	6.00	3.50	14.00	2.54
12	6.00	2.40	17.50	2.54
13	3.00	6.00	14.00	2.54
14	3.00	3.00	12.00	2.54
15	4.70	3.00	18.50	2.54
16	5.00	3.00	9.00	2.54
17	6.00	6.00	38.00	2.54
18	6.00	3.00	14.30	2.54
19	6.00	3.00	10.50	2.54
20	6.00	3.00	18.00	2.54
21	6.00	3.00	26.50	2.54

Pin Chart

No.	A	B	C	H
22	6.00	3.00	10.00	2.54
23	3.00	3.00	14.90	2.54
24	6.00	3.00	5.08	2.54
25	5.50	3.00	7.50	2.54
26	6.00	2.40	16.50	2.54
27	10.00	3.00	15.54	2.54
28	6.10	2.80	8.70	2.54
29	6.00	3.00	7.00	2.54
30	4.00	2.40	11.00	2.54
31	8.00	3.00	7.50	2.54
32	6.00	3.00	9.00	2.54

Pin Chart

No.	A	B	C	H
33	4.00	3.00	9.00	2.54
34	4.00	3.00	3.00	1.5
35	3.00	3.00	13.00	2.54
36	4.50	3.00	3.00	1.5
37	6.00	3.00	8.00	2.54
38	6.00	2.50	16.5	2.5
39	6.00	3.00	3.40	1.7
40	6.50	3.00	7.50	2.54
41	6.00	3.30	29.2	2.54
42	6.00	3.30	19.7	2.54



钰满荣企业股份有限公司 ACMELEX CO., LTD.

TEL.:886-2-85124595

FAX:886-2-85124322

0.0±0.30	SCALE: 1:1	TITLE: Pitch 2.54X2.54mm	PART NO: 112100
0.00±0.20	UNIT: mm	(.100"*.100") Double Base	APP BY: Hung
0.000±0.1		Dual Row Pin Header Conn.	CHK BY: Cheryl



MATL: ROHS (Nylon 6T)

DWG. NO. C17468XXXXXX DR BY: Amos

REV.	DESCRIPTION	APP.	DATE
A	NEW DESIGN	Amos	2009-07-02

