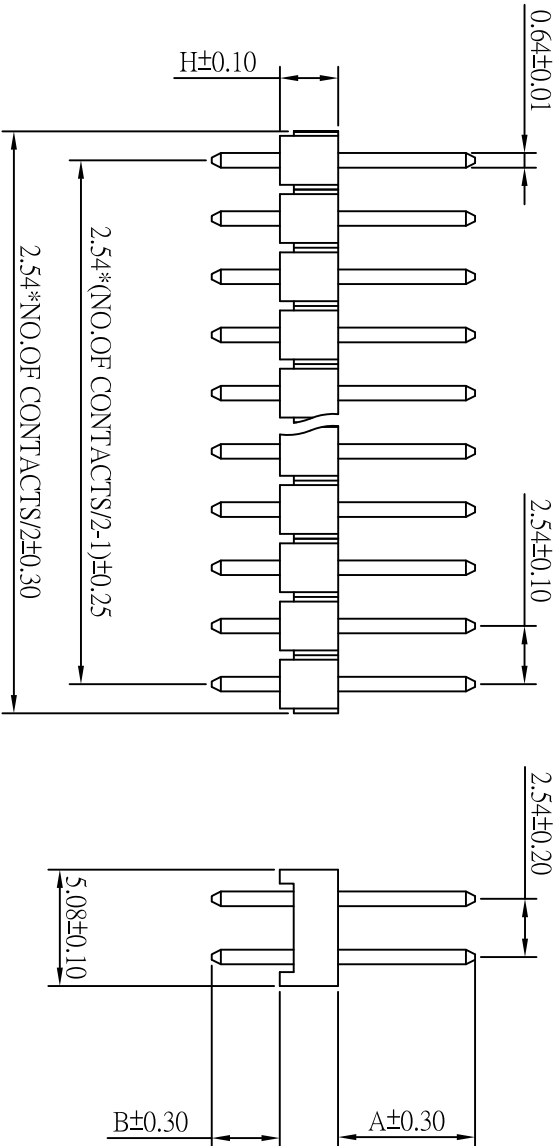
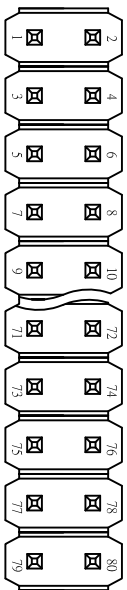


CUSTOMER COPY



Pin Chart

No.	A	B	H
00	6.00	3.00	2.54
01	14.50	3.00	2.54
02	7.73	7.73	2.54
03	3.80	3.26	2.54
04	4.50	4.56	2.54
05	12.00	3.00	2.54
06	11.00	2.90	2.54
07	13.00	3.00	2.54
08	18.00	3.00	2.54
09	11.00	3.00	2.54

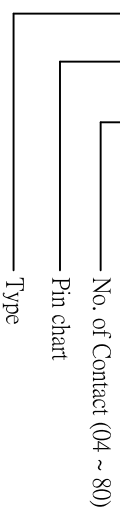
No.	A	B	H
10	8.40	3.00	2.54
11	9.50	3.00	2.54
12	8.00	8.00	2.54
13	8.00	3.00	2.54
14	12.46	3.00	2.54
15	4.50	3.00	2.54
16	10.00	3.00	2.54
17	3.75	2.75	2.54
18	11.60	3.00	2.54
19	8.00	3.20	2.54

No.	A	B	H
20	14.00	3.50	2.54
21	5.00	3.00	2.54
22	8.75	8.75	2.54
23	5.00	4.00	2.54
24	8.00	4.00	2.54
25	13.50	3.00	2.54
26	15.00	3.00	2.54
27	4.00	3.00	2.54
28	7.00	3.10	1.50
29	11.25	11.25	2.54

No.	A	B	H
30	6.80	2.90	2.54
31	3.00	6.00	2.54
32	7.00	3.00	2.54
33	8.00	6.00	2.54
34	2.50	3.00	2.54
35	26.0	3.00	2.54
36	3.50	3.00	2.54
37			
38			
99	4.00	3.00	1.50

ORDER INFORMATION
174 32 XX XX X

- 1:Plating Tin
- 3:Plating Gold Flash
- 4:Plating Gold 30u"
- 6:Plating Gold 10u"
- 8:Plating Gold 15u"

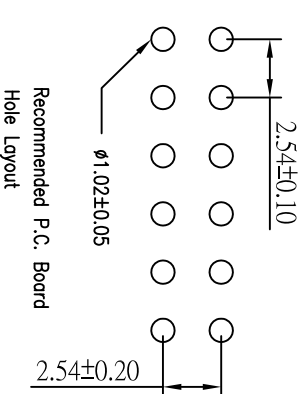


SPECIFICATION

- * Current Rating: 3 A
- * Withstanding Voltage: 800 VAC (1 min.)
- * Insulation Resistance: 1000 Megohms min.
- * Contact Resistance: 30 Milliohms max.
- * Operating Temperature: -40°C to +85°C
- * RETENTION FORCE 750g MIN.

MATERIAL

- * Contact: Brass , 0.64mm square post
- * Insulator: High temperature plastic(RoHS PA6T)
- * Plating: Gold



ACMELUX CO., LTD.

TEL:886-85124595 FAX:886-85124322

0.01	0.30	SCALE: 1:1	TITLE: 2.54X2.54MM (.100"*.100")	PART NO: 111700
0.004	0.20	UNIT: mm	Pin Header Dual Row	APP BY: Hung
0.000	±0.10			CHK BY: Cheryl

MATL: RoHS (Nylon 6T)	DR BY: Amos
DWG. NO. C1743299XXX	



REV.	DESCRIPTION	APP.	DATE
A	NEW DESIGN		