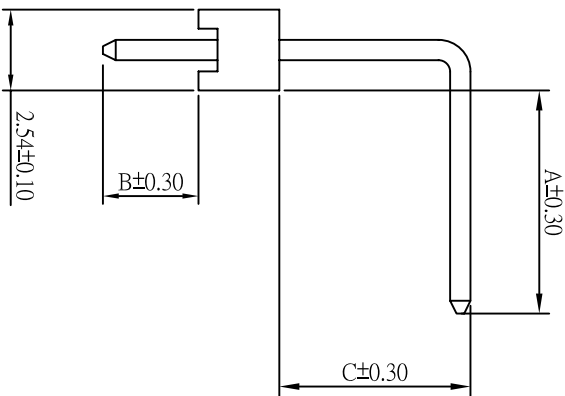
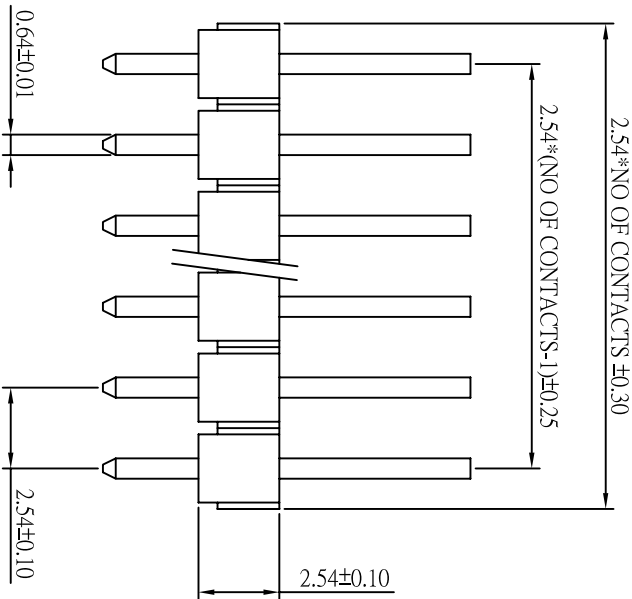
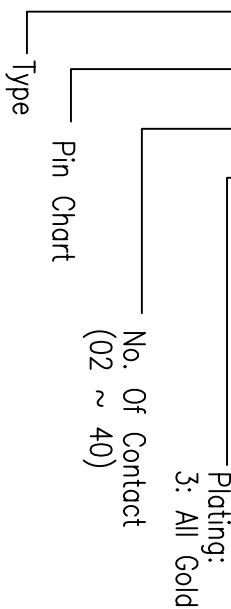


CUSTOMER COPY



ORDER INFORMATION

174 00 XX XX X



REV	ECN NO.	APP.	DATE
A	NEW DESIGN		

SPECIFICATION

MATERIAL

- * Current Rating: 3 A
- * Withstanding Voltage: 800 VAC (1 min.)
- * Insulation Resistance: 1000 Megohms min.
- * Contact Resistance: 30 Milliohms max.
- * Operating Temperature: -40°C to +85°C
- * RETENTION FORCE 750g MIN.
- * Contact: Brass,
- * Insulator: Nylon 6T
- * Plating: Gold
- * 0.64mm square post

Pin Chart

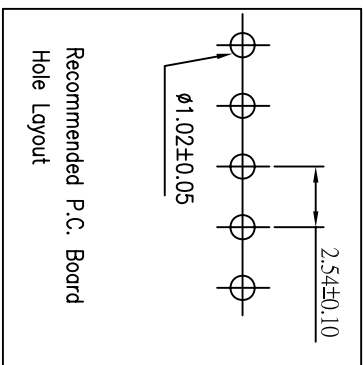
No.	A	B	C
00	6.00	3.00	4.40
01	6.00	3.00	3.00
02	3.40	3.40	3.13
03	7.50	3.00	2.50
04	3.60	3.00	1.86
05	15.00	3.00	2.85
06	6.00	3.00	2.80

Pin Chart

No.	A	B	C
07	3.60	3.00	4.40
08	1.50	1.50	0.64
09	8.00	3.00	4.00
10	6.00	0.60	5.40
11	7.85	3.00	3.82
12	6.00	3.00	3.55
13	26.00	3.00	1.86

Pin Chart

No.	A	B	C
14	2.50	2.50	0.64
15	4.00	3.00	0.64
16			
17			
18			
19			
20			



ACMELUX CO., LTD.

TEL:886-2-85124595 FAX:886-2-85124322

SCALE: 0.0±

TITLE:

PART NO:

0.00± UNIT: mm

2.54MM (.100") Center Pin
HEADER R/A Single Row

APP BY: Hung



MATL: RoHS

CHK BY: Cheryl



DWG. NO. C17400XXXXX

DR BY: Amos