

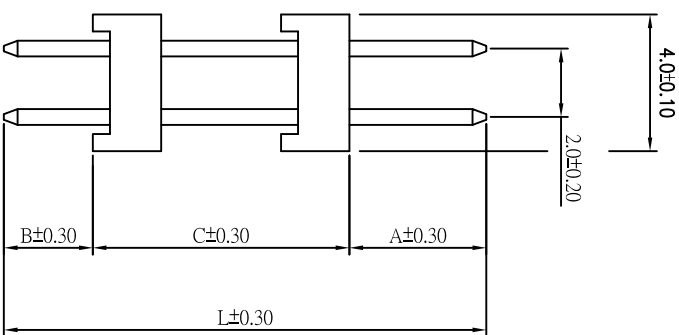
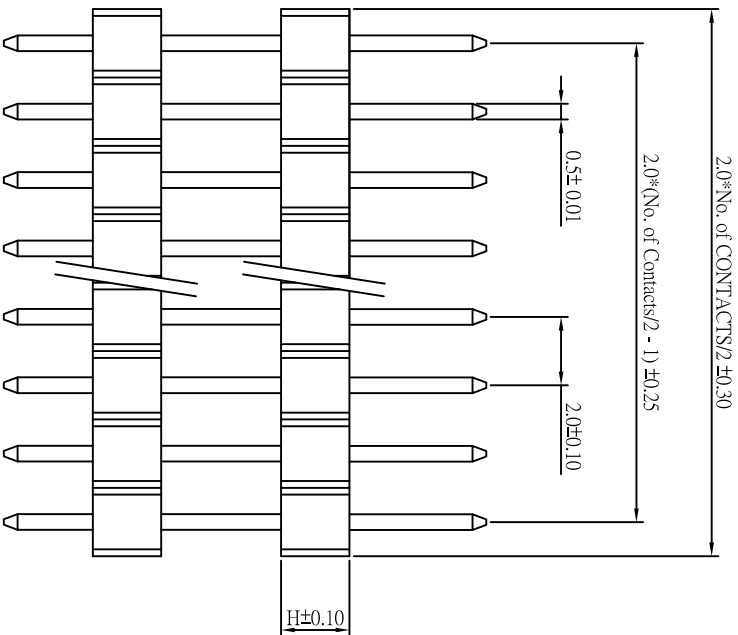
# CUSTOMER COPY

## ORDER INFORMATION

REV.	DESCRIPTION	APP.	DATE
A	NEW DESIGN	Amos	2010-05-10

173 64 XX XX 3  
 No. Of Contact  
 (04 ~ 80)  
 Plating:  
 3: All Gold

TYPE  
 Pin Chart



No.	H	A	B	C	L
00	2.0	5.00	2.50	15.00	22.50
01	2.0	4.00	2.80	9.60	16.40
02	2.0	4.00	2.50	11.00	17.50
03	2.0	6.00	2.80	6.60	15.40
04	2.0	3.00	3.00	9.00	15.00
05	2.0	6.00	2.80	7.00	15.80
06	2.0	2.50	2.50	5.70	10.70
07	2.0	3.80	2.70	11.8	18.30
08	2.0	3.50	3.50	8.00	15.00
09	2.0	3.50	3.00	12.50	19.00

No.	H	A	B	C	L
10	2.0	2.50	2.50	4.00	9.00
11	2.0	4.00	3.00	11.00	18.00
12	2.0	5.00	3.00	7.00	15.00
13	2.0	5.00	3.00	10.00	18.00
14	2.0	3.50	2.40	6.00	11.90
15	2.0	3.00	3.00	13.00	19.00
16	2.0	2.80	5.00	8.00	15.80
17	1.5	4.50	3.00	3.00	10.50
18	2.0	3.50	3.50	4.00	11.00
19	2.0	4.00	2.80	20.40	27.20

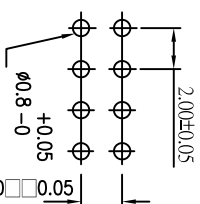
No.	H	A	B	C	L
20	2.0	3.20	2.50	11.30	17.00
21	2.0	4.00	2.50	15.00	21.50
22	2.0	3.50	2.50	9.60	15.60
23	2.0	4.00	2.80	4.00	10.80
24	2.0	4.00	2.80	16.50	23.30

### SPECIFICATION

- \* Current Rating: 1 A
- \* Withstanding Voltage: 600 VAC ( 1 min. )
- \* Insulation Resistance: 1000 Megohms MIN.
- \* Contact Resistance: 30 Milliohms MAX.
- \* Operating Temperature: -40°C to +85°C
- \* Retention Force: 600g MIN.

### MATERIAL

- \* Contact: BRASS
- \* Insulator: GLASS FIBER POLYESTER UL94V-0
- \* Plating: All Gold



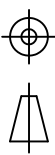
Recommended P.C. Board Hole Layout



ACMELUX CO., LTD.

TEL:886-85124595 FAX:886-85124322

0.0±	SCALE: 1:1	TITLE:
0.00±	UNIT: mm	2.00X2.00MM ( .079" x .079" ) PIN
0.000±		HEADER Double Base Base Row



MATL: RoHS (Nylon 6T)

DWG. NO. C17364XXXXX3	DR BY: Amos
PART NO:	APP BY: Hungl
	CHK BY: Cheryl

1 2 3 4 5 6 7 8

F E D C B A