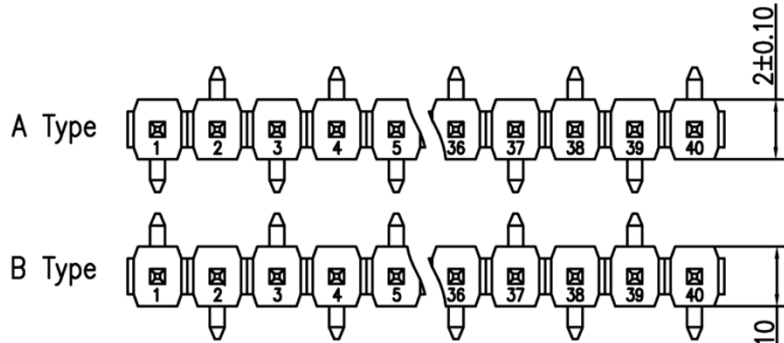


CUSTOMER COPY

REV.	DESCRIPTION	APP.	DATE
A	NEW DESIGN	Amos	2012-03-20

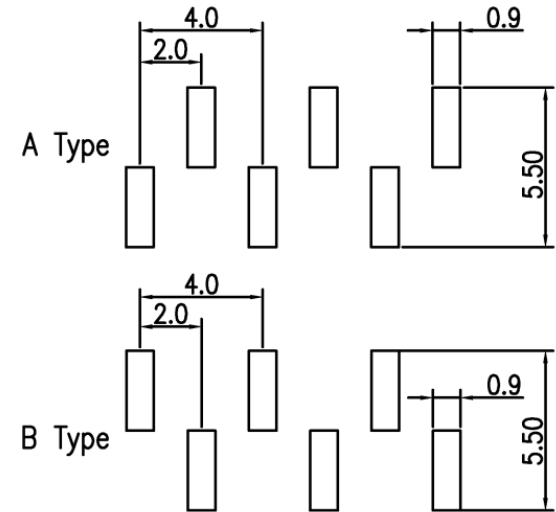
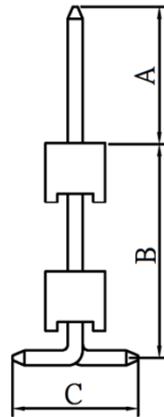
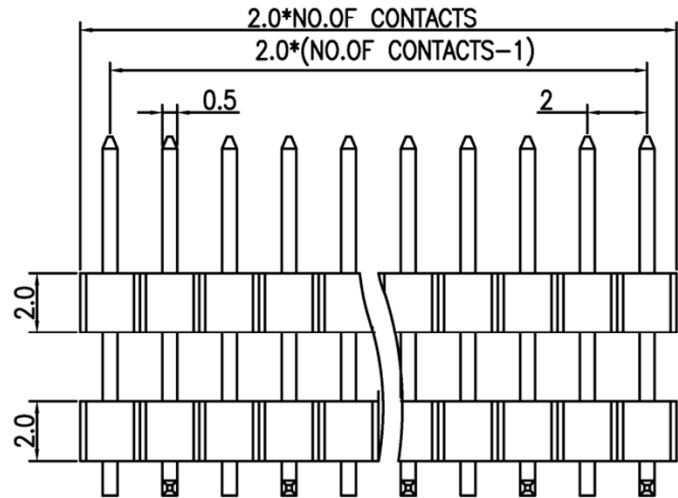
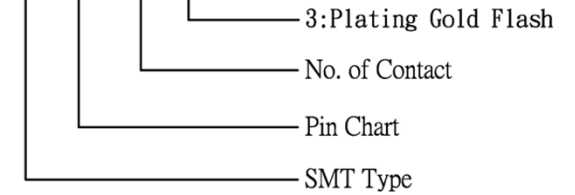


Pin Chart

No.	A	B	C	H	
01	4.00	5.12	4.00	2.00	A Type
02	4.00	12.3	4.00	2.00	A Type
51	4.00	5.12	4.00	2.00	B Type
52	4.00	12.3	4.00	2.00	B Type

ORDER INFORMATION

173 52 XX XX X



Recommended P.C.Board Hold Layout



SPECIFICATIONS

1.MATERIALS

CONTACT: BRASS

INSULATOR: Nylon 6T (UL 94V-0)

CONTACT PLATING: GOLD OVER NICKEL

2.ELECTRICAL

CONTACT RESISTANCE: 20m ohms Max

INSULATOR RESISTANCE: 1000M ohms Min

CURRENT RATING: 1.5 Amp

DIELECTRIC WITHSTANDING VOLTAGE: AC 500V

3.OPERATING TEMPERATURE: -55°C TO +105°C



鈺滿榮企業股份有限公司 ACMELUX CO., LTD.

TEL:886-2-85124595

FAX:886-2-85124322

0.0±0.30	SCALE: 1:1 UNIT: mm	TITLE: Pitch 2.0mm Single Row Dual Base SMT Type Pin Header Connector	PART NO:
0.00±0.20			APP BY: <i>Hung</i>
0.000±0.1			CHK BY: <i>Cheryl</i>
		MATL: RoHS	DR BY: <i>Amos</i>
		DWG. NO. C17352XXXXX	A021