

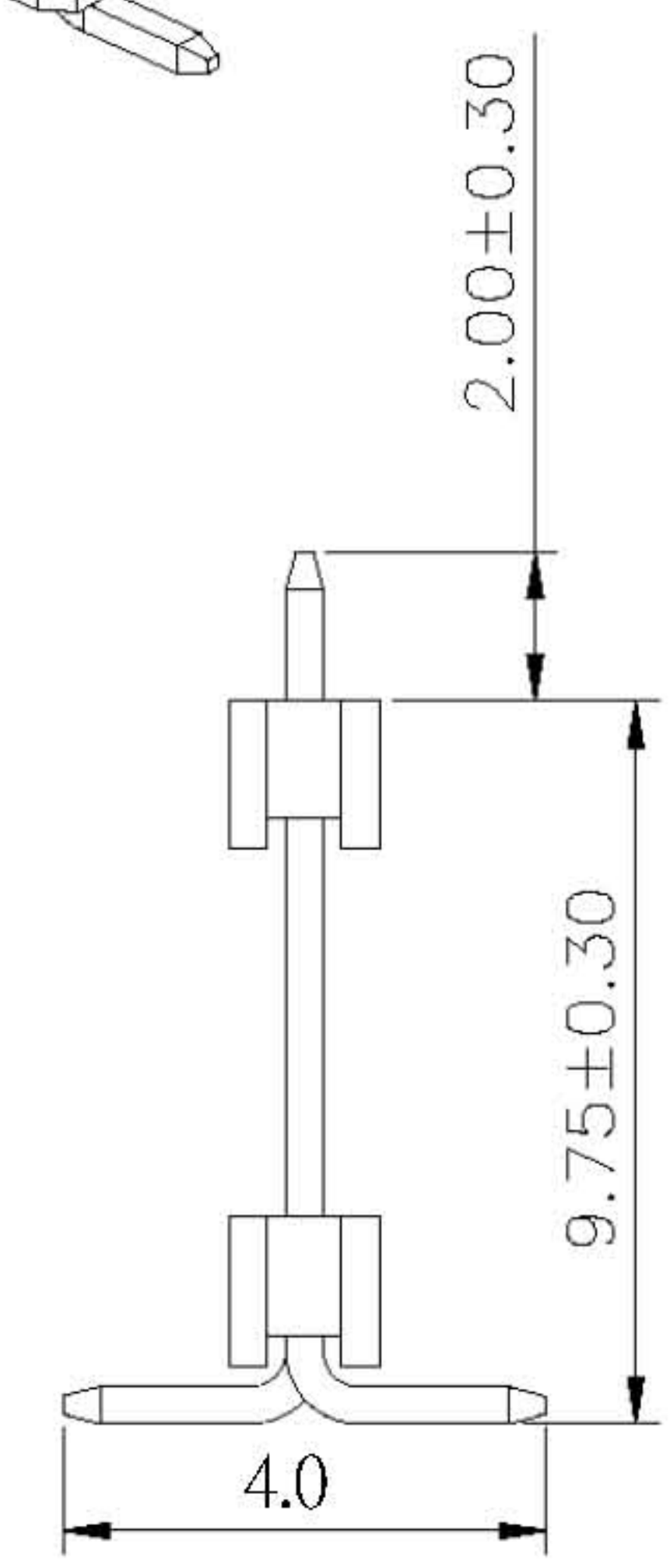
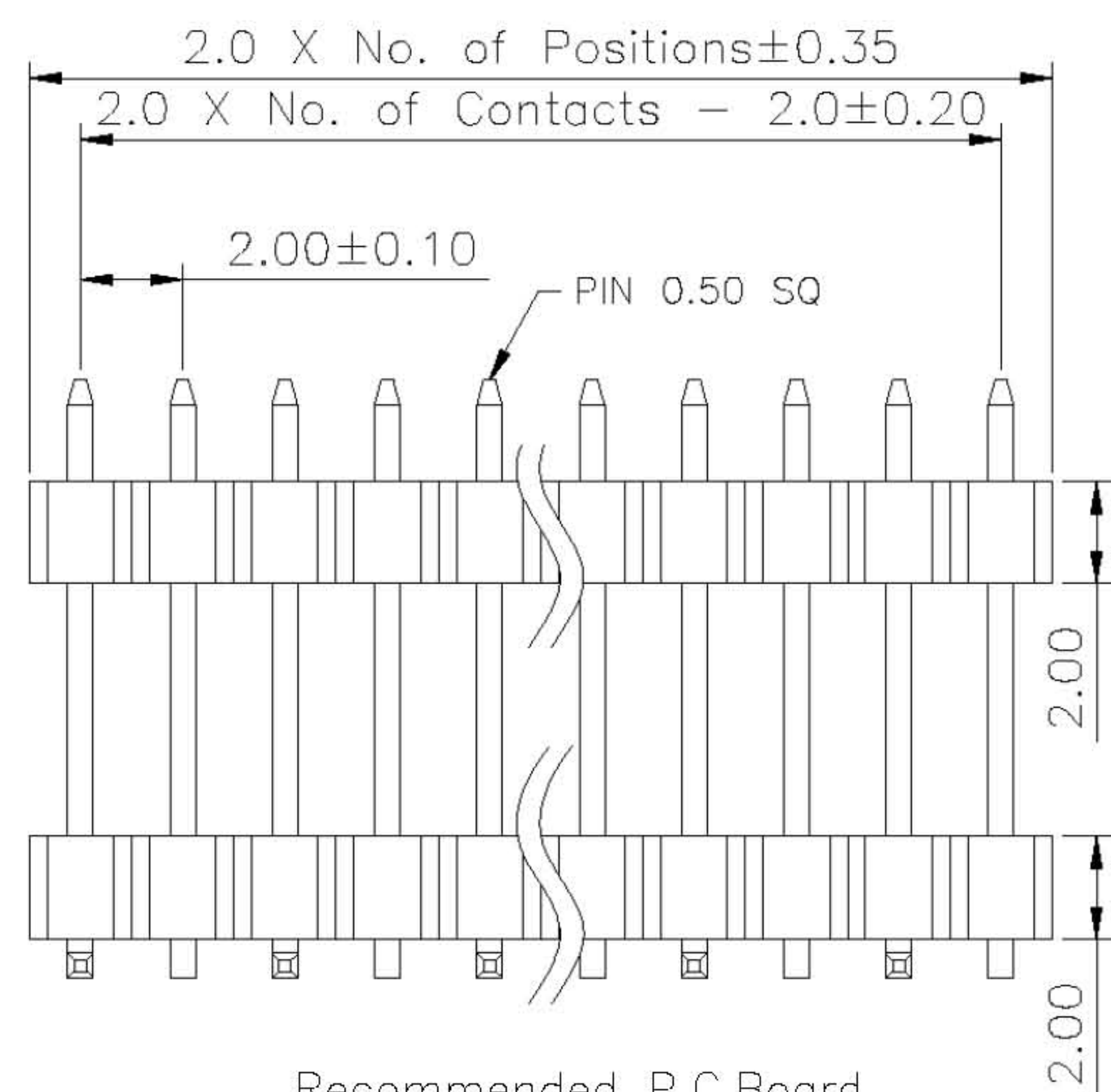
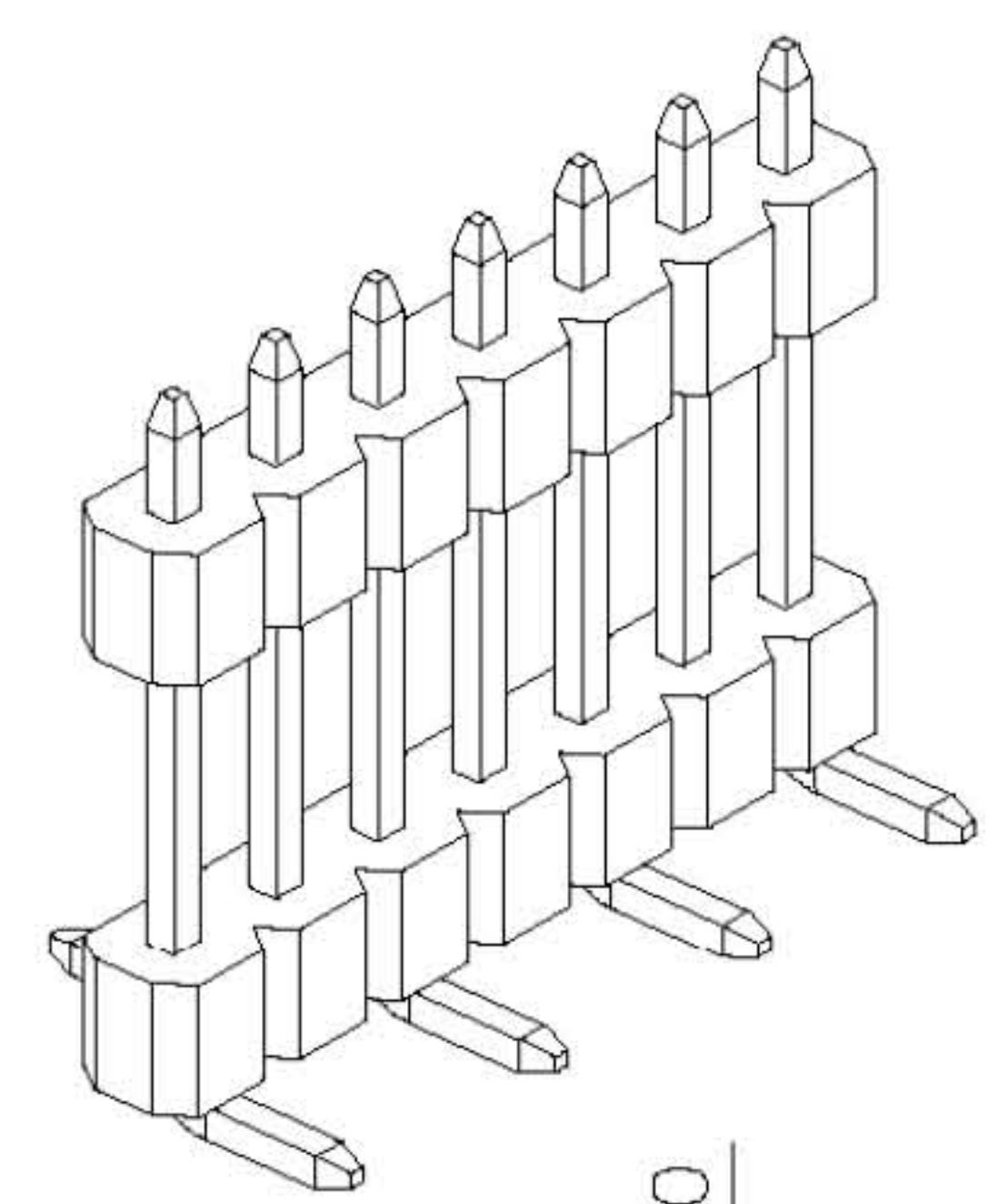
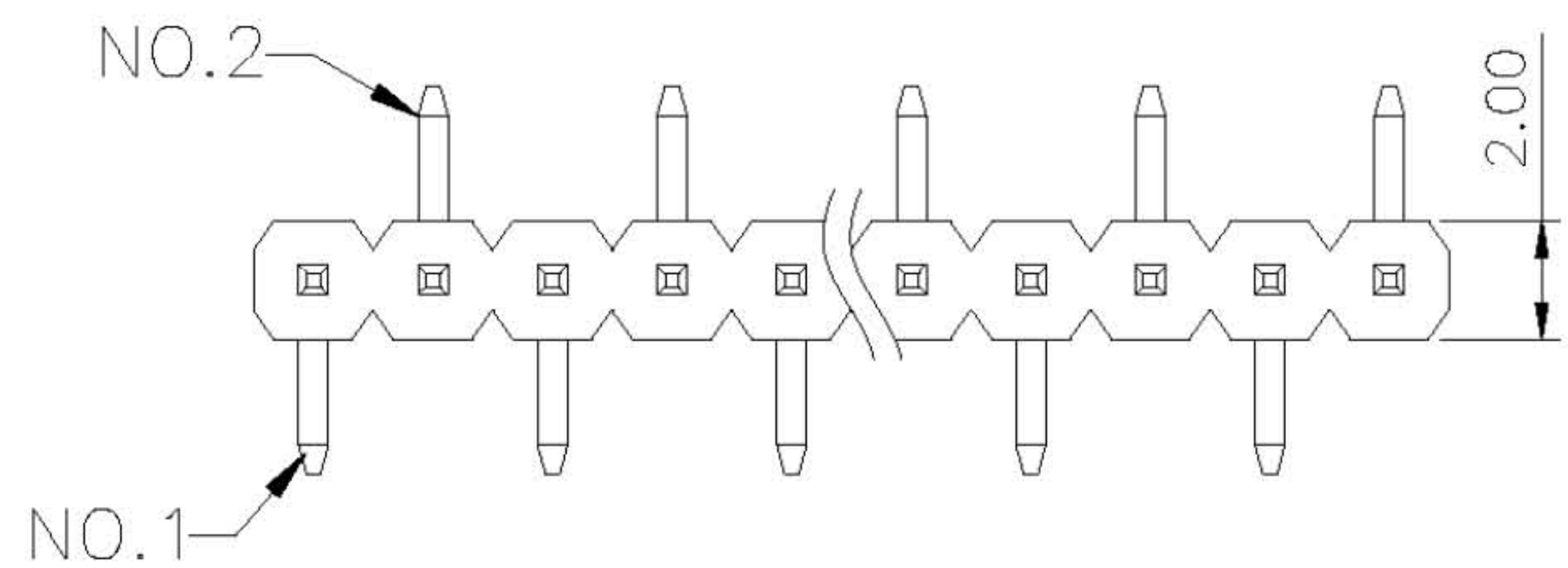
CUSTOMER COPY

REV.	DESCRIPTION	APP.	DATE
A	NEW DESIGN	Amos	2010-08-19

ORDER INFORMATION

173 52 00 XX X

- 1:Plating Tin
- 3:Plating Gold Flash
- No. of Contact
- A Type H=2.0mm 2/9.75/6.5
- Type



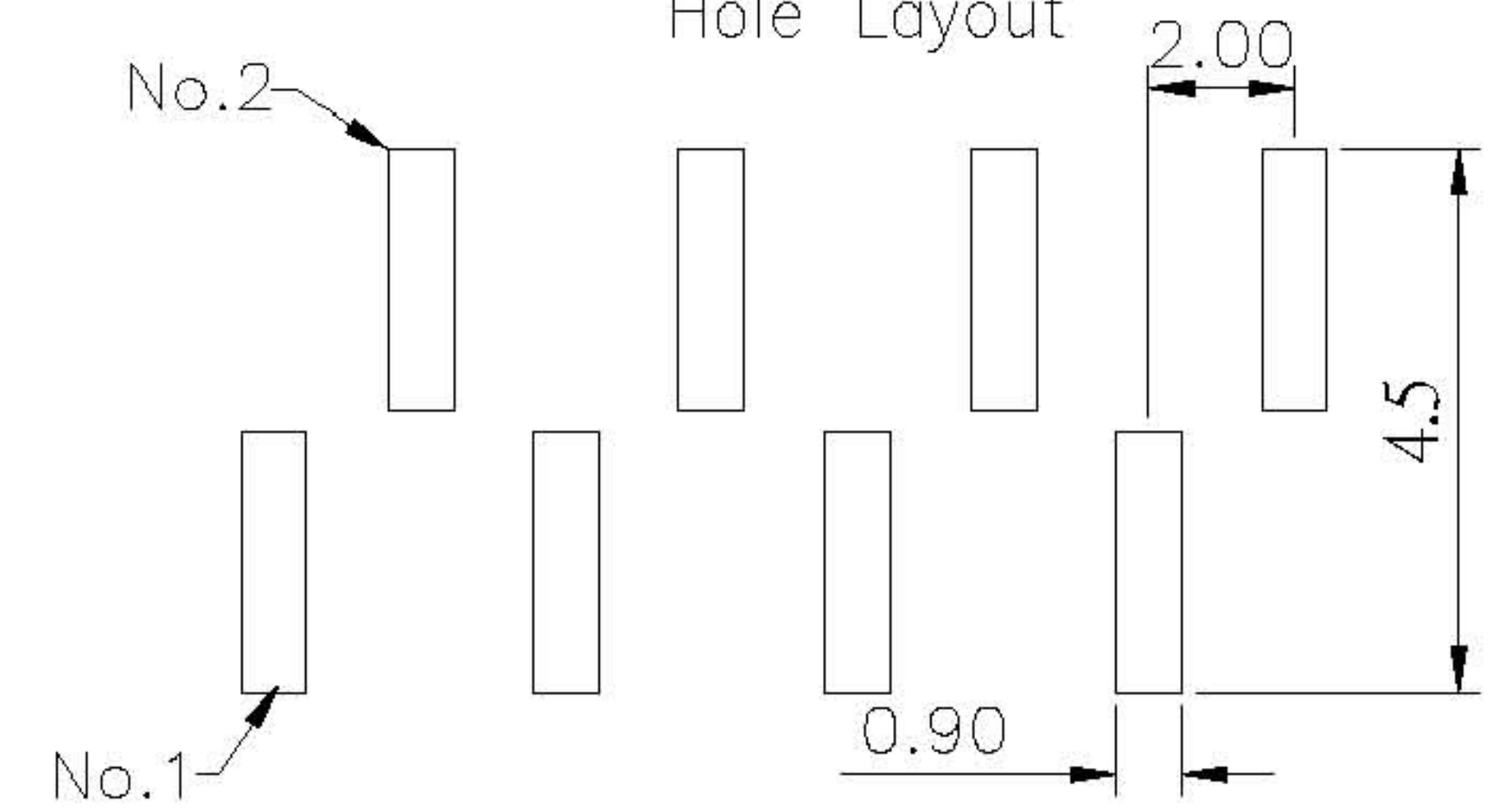
Specifications

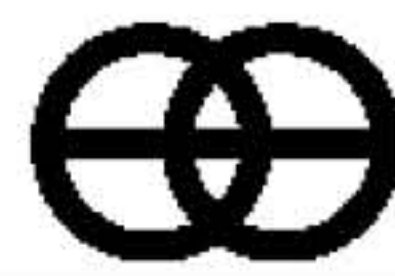
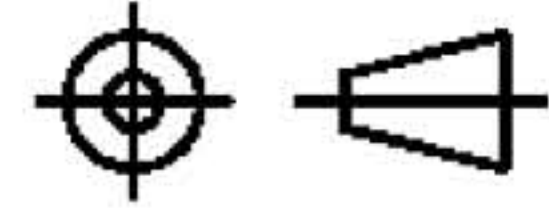
- Current Rating: 2Amp
- Insulation Resistance: 1000MΩ Min.
- Dielectric Withstanding: 500V AC
- Contact Resistance: 20mΩ Max.
- Operating Temperature: -40°C to +105°C

Materials

- Contact Material: Brass
- Insulation Material: Polyester, UL 94V-0 Nylon 6T
- All materials must be GP materials

Recommended P.C.Board Hole Layout



 鈺滿榮企業股份有限公司 ACMELUX CO., LTD. TEL: 886-2-85124595 FAX: 886-2-85124322		PART NO:	
		APP BY: <i>Hung</i>	
0.0±0.30 Scale: 1:1 0.00±0.20 Unit: mm 0.000±0.1		Title: Pitch 2.0mm Dual Rows SMT Type Pin Header Connector Material: RoHS DWG. NO. C1735200XXX	
		CHK BY: <i>Cheryl</i> DR BY: <i>Amos</i> C050	