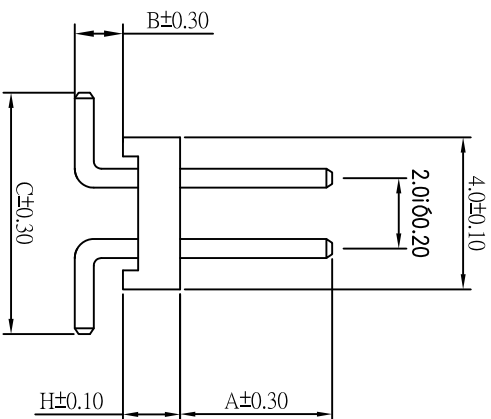
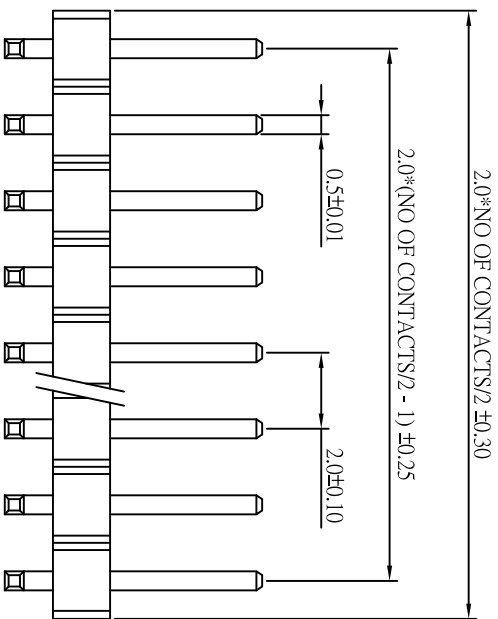
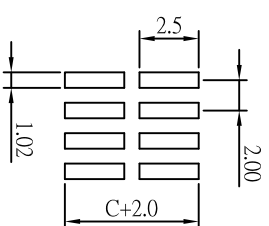


CUSTOMER COPY



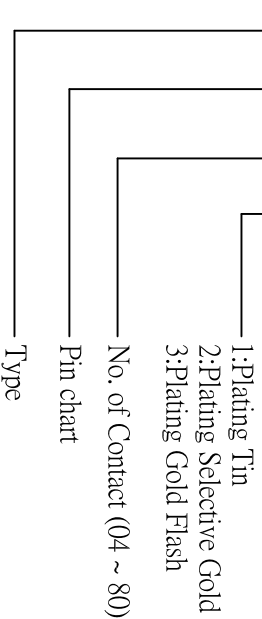
Pin Chart

| No. | A    | B    | C    | H    | No. | A    | B    | C    | H    |
|-----|------|------|------|------|-----|------|------|------|------|
| 00  | 3.50 | 1.25 | 6.50 | 2.00 | 11  | 3.80 | 1.20 | 5.50 | 1.50 |
| 01  | 4.00 | 0.80 | 6.50 | 2.00 | 12  | 7.00 | 0.50 | 6.50 | 2.00 |
| 02  | 4.00 | 1.15 | 6.80 | 1.50 | 13  | 7.30 | 0.70 | 6.50 | 2.00 |
| 03  | 4.00 | 1.30 | 6.50 | 2.00 | 14  | 2.40 | 1.20 | 6.20 | 2.00 |
| 04  | 4.00 | 0.50 | 6.00 | 2.00 | 15  | 3.30 | 0.75 | 6.00 | 1.50 |
| 05  | 1.91 | 1.27 | 6.5  | 1.50 | 16  | 6.00 | 0.60 | 6.50 | 1.50 |
| 06  | 4.00 | 1.25 | 6.3  | 2.00 | 17  | 4.00 | 3.40 | 6.50 | 2.00 |
| 07  | 4.00 | 0.80 | 6.5  | 1.50 | 18  | 5.00 | 0.60 | 6.50 | 1.50 |
| 08  | 3.50 | 1.25 | 6.3  | 2.00 |     |      |      |      |      |
| 09  | 4.20 | 0.70 | 6.5  | 1.50 |     |      |      |      |      |
| 10  | 4.00 | 0.50 | 6.5  | 1.50 |     |      |      |      |      |



Recommended P.C. Board SMD Layout

ORDER INFORMATION  
173 32 XX XX X



SPECIFICATION

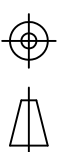
MATERIAL

- \* Current Rating: 1 A
- \* Withstanding Voltage: 600 VAC ( 1 min. )
- \* Insulation Resistance: 1000 Megohms MIN.
- \* Contact Resistance: 30 Milliohms MAX.
- \* Operating Temperature: -55°C to +105°C
- \* Retention Force: 600g MIN.
- \* Contact: Brass
- \* Insulator: High temperature plastic
- \* Plating: Selective Gold or All Gold



钰满荣企业股份有限公司 ACMELUX CO., LTD.  
TEL.:886-2-85124595 FAX:886-2-85124322

|           |            |                               |              |
|-----------|------------|-------------------------------|--------------|
| 0.0±0.30  | SCALE: 1:1 | TITLE:                        | PART NO:     |
| 0.00±0.20 | UNIT: mm   | Pitch 2.00X2.00mm (.79*.79)   | 109700       |
| 0.000±0.1 |            | SMD Dual Row Pin Header Conn. | APP BY: Hung |



|                       |                |
|-----------------------|----------------|
| MATL: RoHS (Nylon 6T) | CHK BY: Cheryl |
| DWG. NO. C17332XXXXX  | DR BY: Amos    |