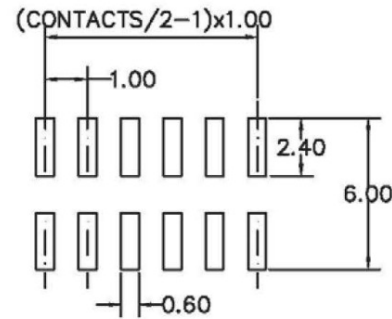
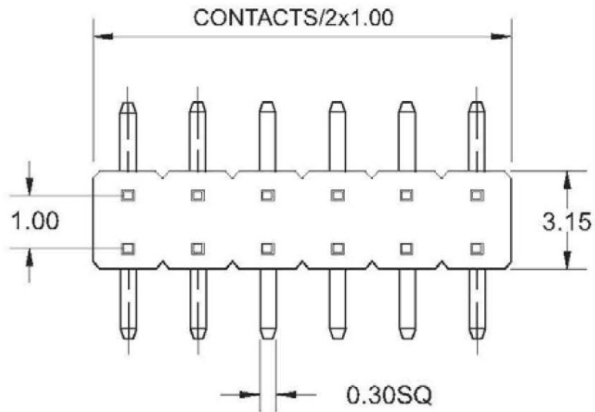


CUSTOMER COPY

REV.	DESCRIPTION	APP.	DATE
A	NEW DESIGN	Amos	2012-06-28

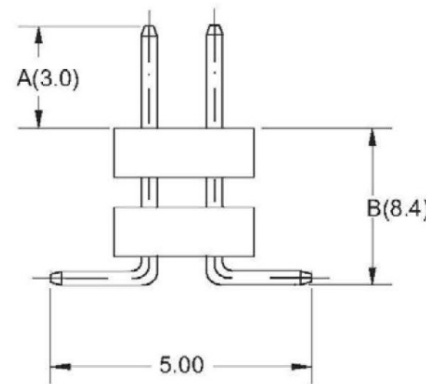
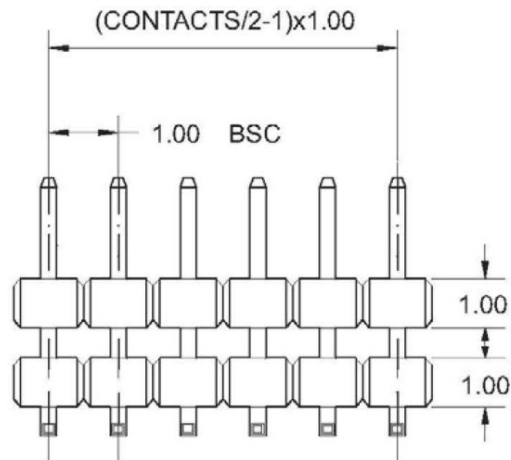


ORDER INFORMATION

170 84 00 XX X

- 3:Plating Gold Flash
- No. of Contact
- H:1.0mm 3mm/8.4mm/5mm
- 雙排雙塑 SMT Type

RECOMMENDED P.C. BLAYOUT



MATERIAL  
 HOUSING : THERMOPLASTIC UL94V-0  
 CONTACT: COPPER ALLOYS

SPECIFICATION  
 CURRENT:1A  
 OPERATING TEMPERATURE: -40°C TO+105°C  
 CONTACT RESISTANCE:20 MILLIOHMS MAX  
 INSULATION RESISTANCE:5000 MEGAOHMS MIN  
 WITHSTANDING VOLTAGE:AC 500V RMS



鈺滿榮企業股份有限公司 ACMELUX CO., LTD.

TEL:886-2-85124595

FAX:886-2-85124322

0.0±0.38	SCALE: 1:1	TITLE:	PART NO:
0.00±0.25	UNIT: mm	Pitch 1.0mm Dual Rows SMD Type Pin Header Connector	APP BY: <i>Hung</i>
0.000±0.13			CHK BY: <i>Cheryl</i>
		MATL: RoHS	DR BY: <i>Amos</i>
		DWG. NO. C1708400XXX	A225