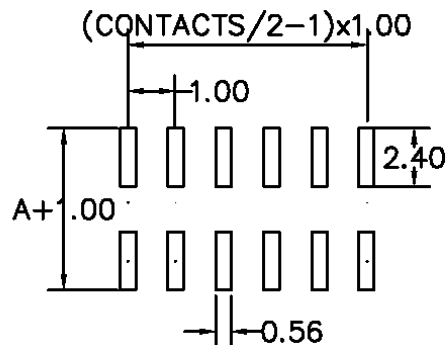
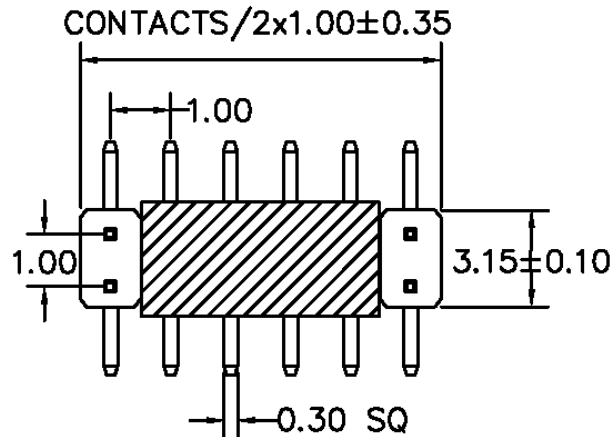


CUSTOMER COPY

REV.	DESCRIPTION	APP.	DATE
A	NEW DESIGN	Amos	2010-10-08



RECOMMENDED P.C.B LAYOUT

ORDER INFORMATION

170 38 00 XX X

- 3:Plating Gold Flash
- No. of Contact (04 ~ 100)
- H=1.5mm
- SMT+Cap Type (1.9/1.9/5.2)

MATERIAL

HOUSING : THERMOPLASTIC UL94V-0

CONTACT : COPPER ALLOYS

SPECIFICATION

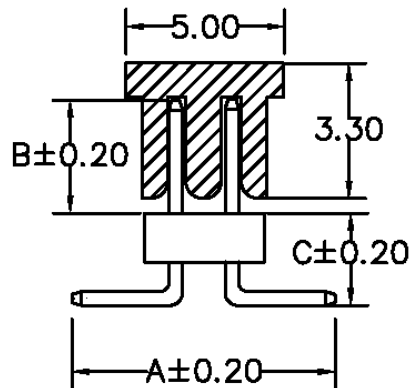
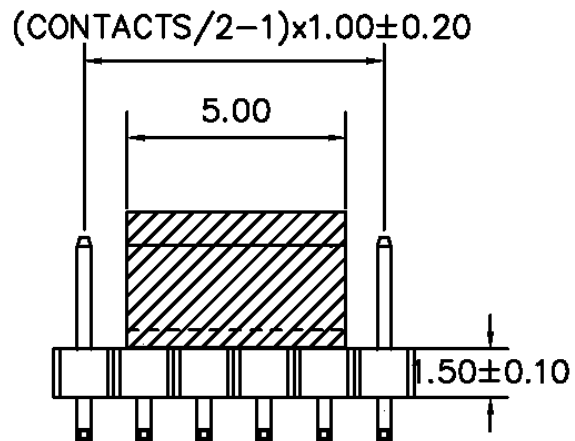
CURRENT: 1A

OPERATING TEMPERATURE: -40°C TO +105°C

CONTACT RESISTANCE : 20 MILLIOHMS MAX

INSULATION RESISTANCE : 5000 MEGAOHMS MIN

WITHSTANDING VOLTAGE : AC 500V RMS



RoHS



鈺滿榮企業股份有限公司 ACME LUX CO., LTD.

TEL:886-2-85124595

FAX:886-2-85124322

0.0±0.38	SCALE: 1:1	TITLE:	PART NO:
0.00±0.25	UNIT: mm	Pitch 1.0mm SMT Type Pin Header Connector	APP BY: Hung
0.000±0.2			CHK BY: Cheryl
		MATL: RoHS	DR BY: Amos
		DWG. NO. C1703800XXX	A284