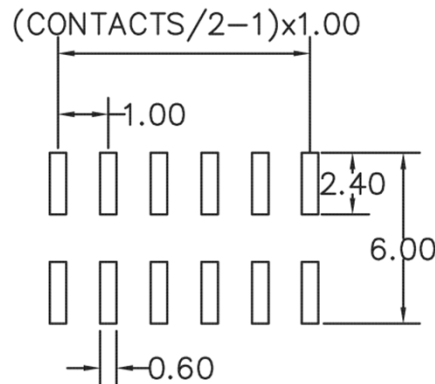
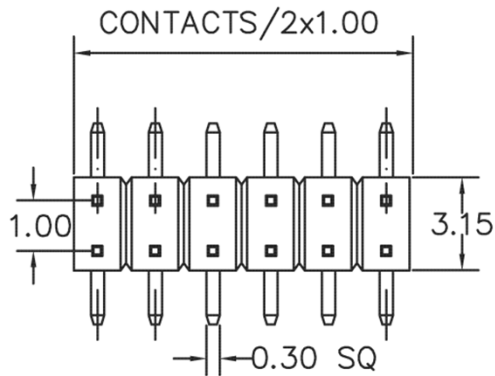


CUSTOMER COPY

REV.	DESCRIPTION	APP.	DATE
A	NEW DESIGN	Amos	2012-06-25

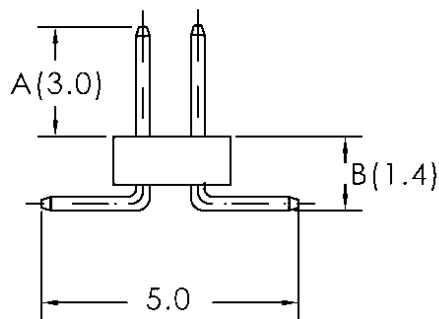
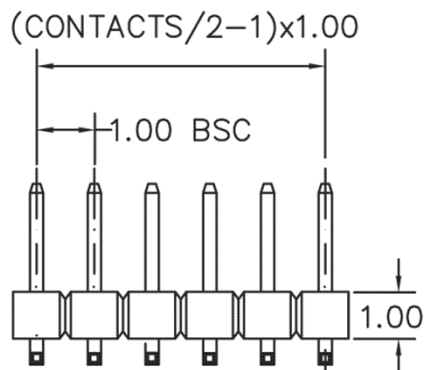


ORDER INFORMATION

170 36 02 XX X

- 1:Plating Tin
- 3:Plating Gold Flash
- No. of Contact
- H=1.0mm 3mm/1.4mm/5mm
- Dual Rows SMT Type

RECOMMENDED P.C.B LAYOUT




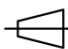
SPECIFICATIONS

- Current rating : 1 Amp
- Contact Resistance : 20 Milliohms Max .
- Insulation resistance : 5000 Megohms Min.
- Operating Temperature : - 40°C ~ + 105°C
- Withstanding Voltage: AC 500V RMS

- Contact Matenal : Copper Alloy
- Insulator Matenal : Thermoplastic UL 94V-0



鈺滿榮企業股份有限公司 ACMELUX CO., LTD.
 TEL:886-2-85124595 FAX:886-2-85124322

0.0±0.38	SCALE: 1:1	TITLE:	PART NO:
0.00±0.25	UNIT: mm	Pitch 1.0mm Dual Rows SMD Type Pin Header Connector	APP BY: <i>Hung</i>
0.000±0.13			CHK BY: <i>Cheryl</i>
 		MATL: RoHS	DR BY: <i>Amos</i>
		DWG. NO. C1703602XXX	A225