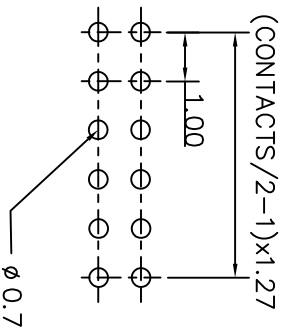
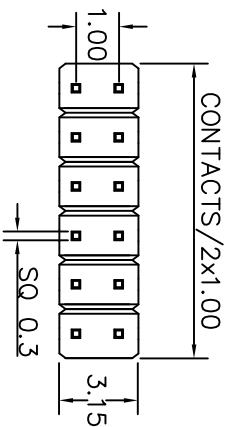
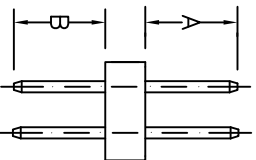
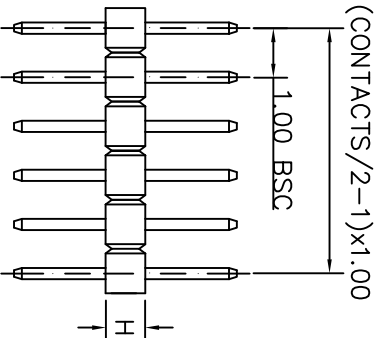


CUSTOMER COPY



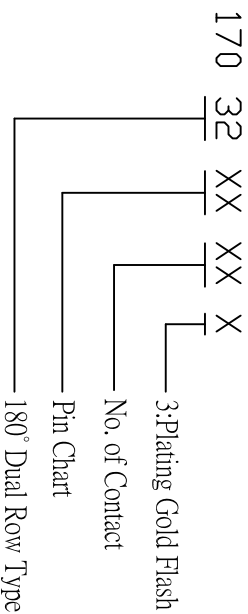
RECOMMENDED P.C.B LAYOUT



Pin Chart

No.	A	B	H
00	2.00	2.00	1.50
01	2.00	3.30	1.00
02	4.50	3.00	1.50
03	0.60	3.00	1.00
04	3.00	1.00	1.00

ORDER INFORMATION



MATERIAL

HOUSING : THERMOPLASTIC UL94V-0
CONTACT : COPPER ALLOYS

SPECIFICATION

CURRENT: 1A
OPERATING TEMPERATURE: -40°C TO +105°C
CONTACT RESISTANCE : 20 MILLIOHMS MAX
INSULATION RESISTANCE : 5000 MEGAOHMS MIN
WITHSTANDING VOLTAGE : AC 500V RMS



鈺滿榮企業股份有限公司 ACME LUX CO., LTD.
TEL:886-85124595 FAX:886-85124322

0.040.38	SCALE: 1:1	TITLE:	PART NO.:
0.0040.25	UNIT: mm	Pitch 1.0mm 180° Dual Row Pin Header	APP BY: <i>Stung</i>
0.000E		MATL: RoHS	CHK BY: <i>Cheryl</i>
		DWG. NO. C17032XXXXX	DR BY: <i>Amos</i>

REV.	DESCRIPTION	APP.	DATE
A	NEW DESIGN	Amos	2009-06-04