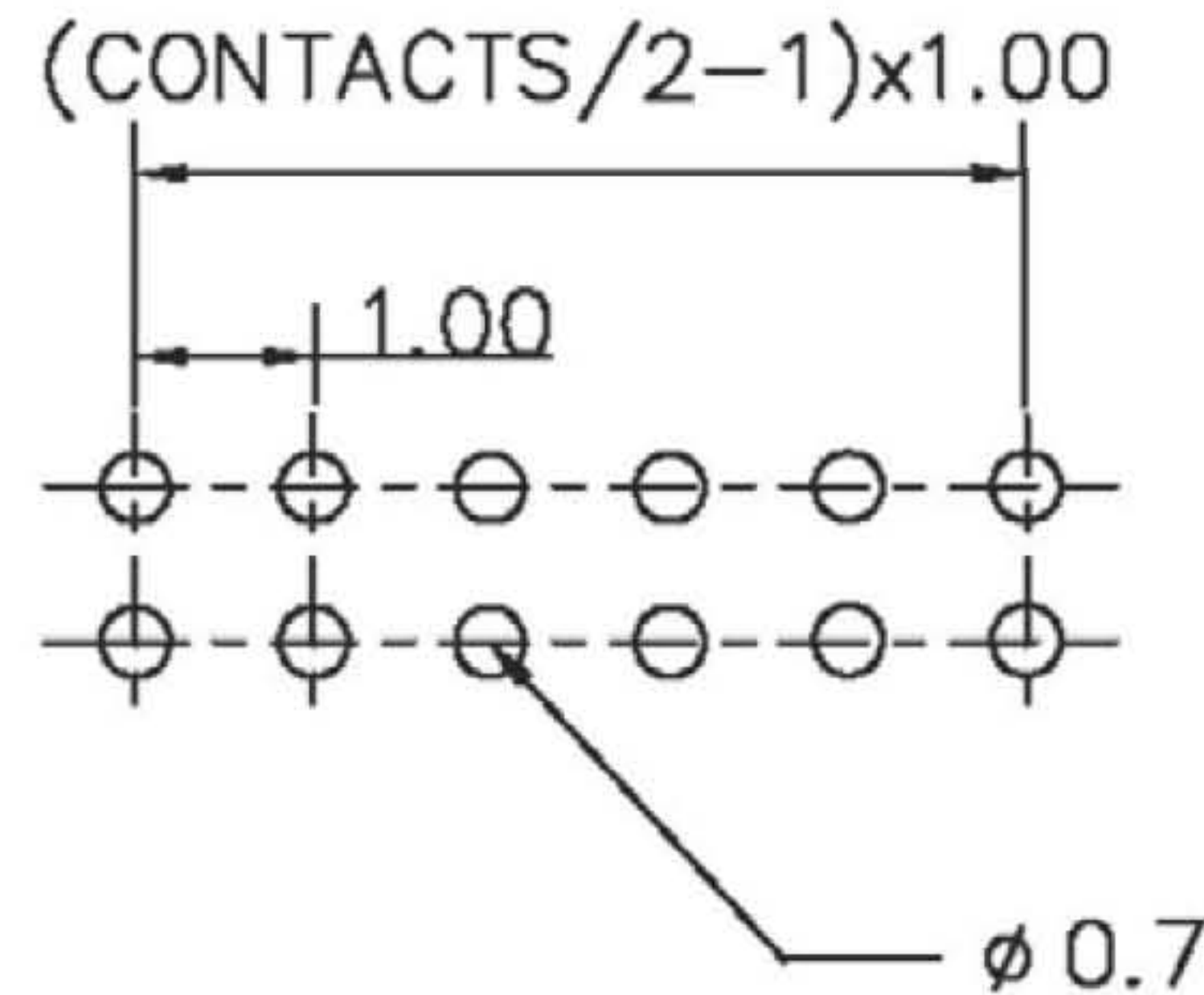
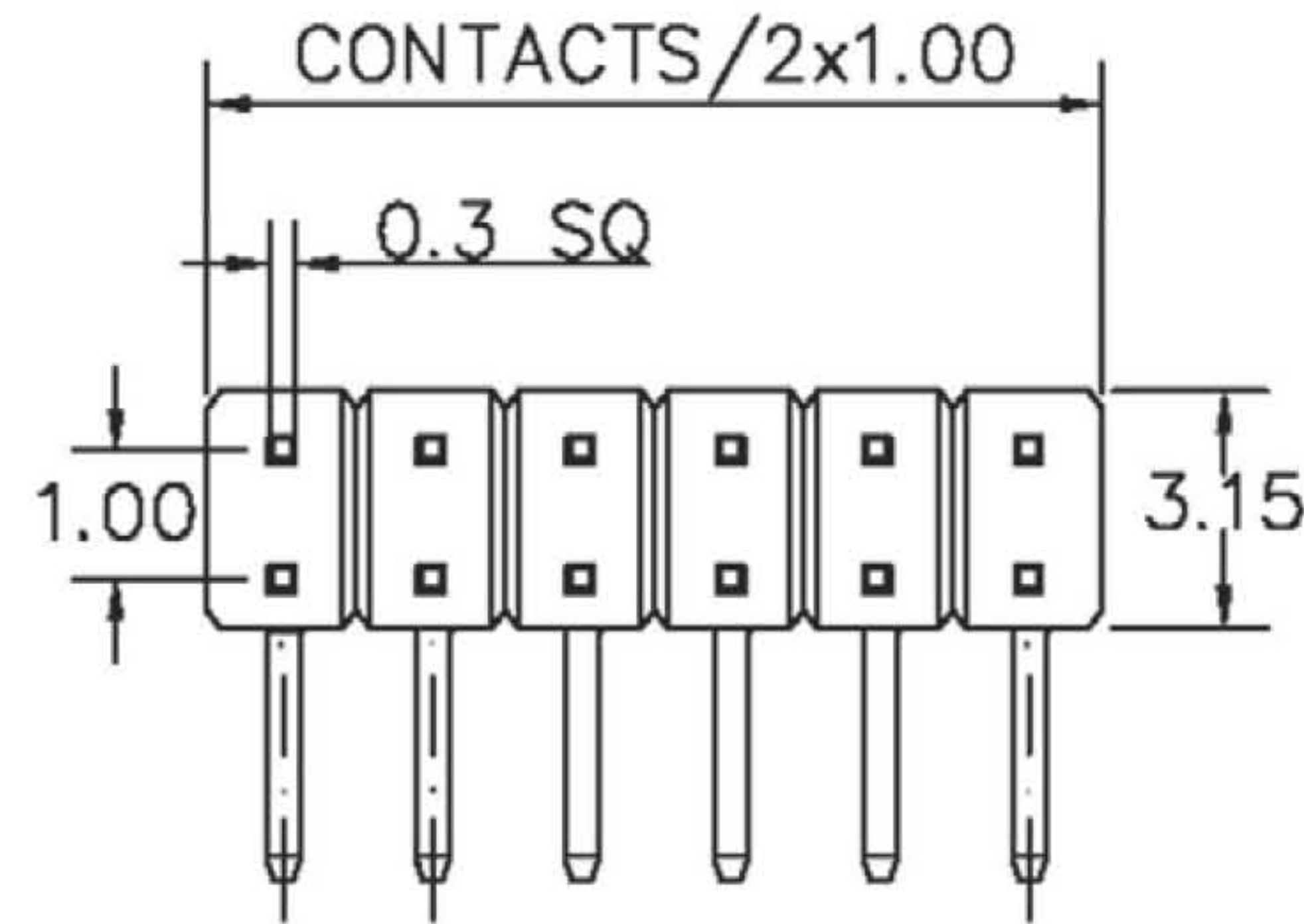


CUSTOMER COPY

REV.	DESCRIPTION	APP.	DATE
A	NEW DESIGN	Amos	2009-06-01



RECOMMENDED P.C.B LAYOUT

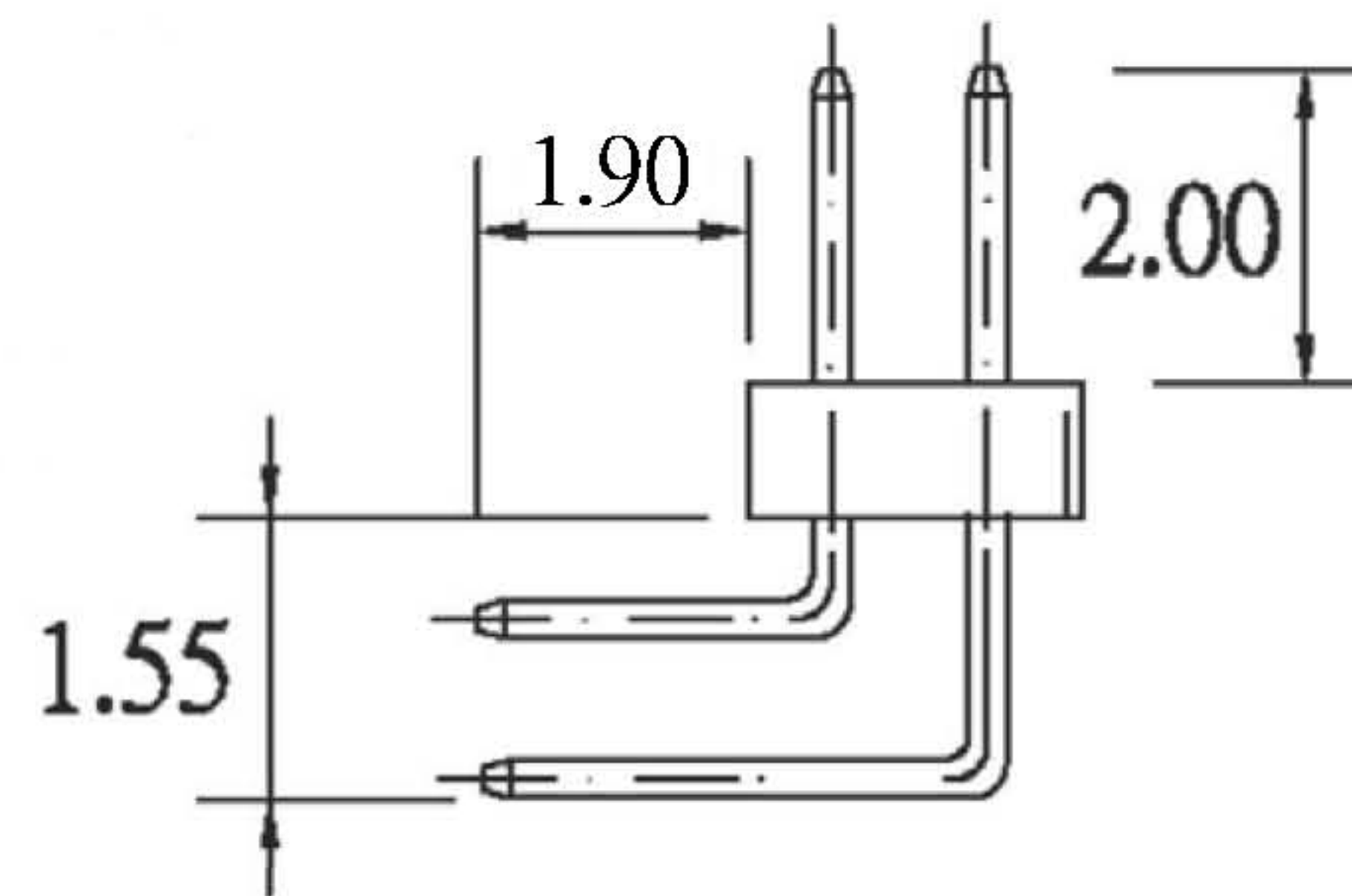
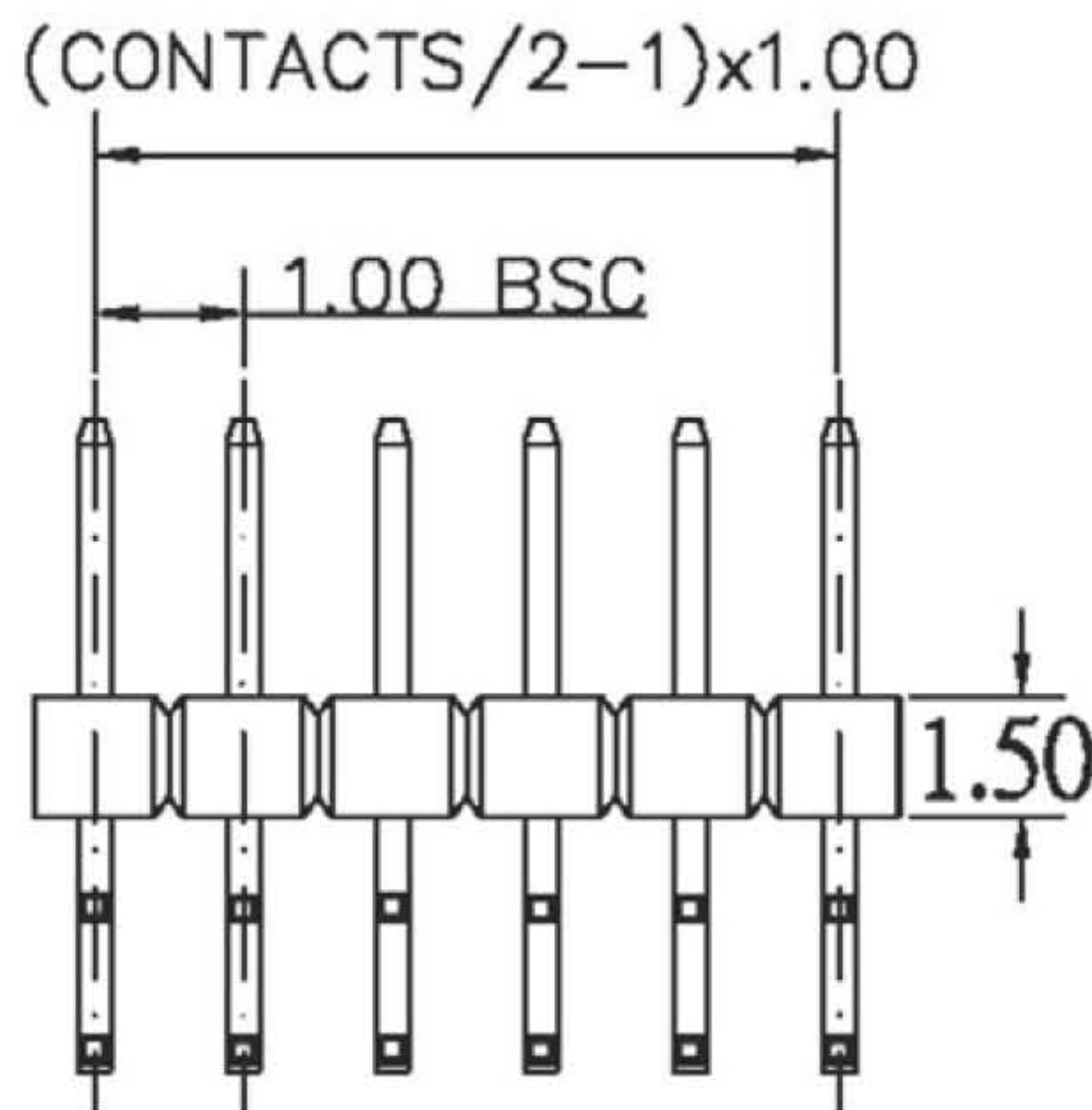
ORDER INFORMATION



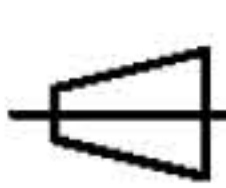
170 28 05 XX X

- 3:Plating Gold Flash
- NO.of Contact (02~50)
- Pin Chart (2*N Pin , N=2~50)

MATERIAL
 HOUSING : THERMOPLASTIC UL94V-0
 CONTACT : COPPER ALLOYS

SPECIFICATION
 CURRENT: 1A
 OPERATING TEMPERATURE: -40°C TO +105°C
 CONTACT RESISTANCE : 20 MILLIOHMS MAX
 INSULATION RESISTANCE : 5000 MEGAOHMS MIN
 WITHSTANDING VOLTAGE : AC 500V RMS



 鈺滿榮企業股份有限公司 ACMELUX CO., LTD. TEL: 886-2-85124595 FAX: 886-2-85124322		PART NO:	
		APP BY: <i>Hung</i>	
0.0±0.30 SCALE: 1:1 0.00±0.20 UNIT: mm 0.000±0.1		TITLE: Pitch 1.0mm 90° Dual Row Type Pin Header Connector MATL: RoHS DWG. NO. C1702805XXX	
 		CHK BY: <i>Cheryl</i> DR BY: <i>Amos</i> A284	