

CUSTOMER COPY

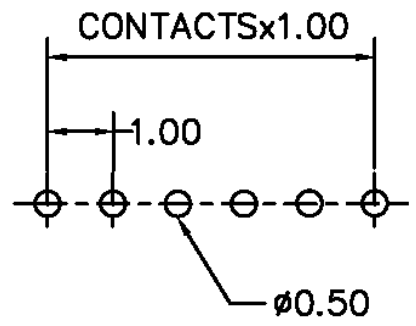
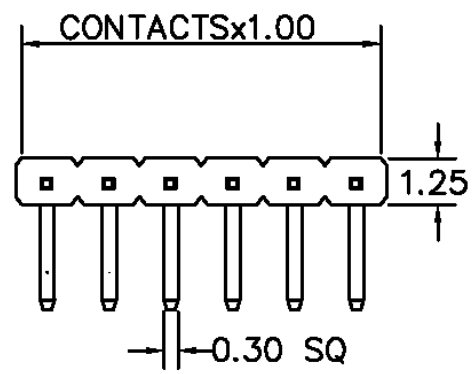
REV.	DESCRIPTION	APP.	DATE
A	NEW DESIGN	Amos	2010-01-12

RoHS

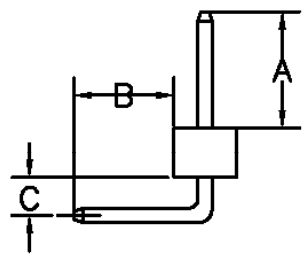
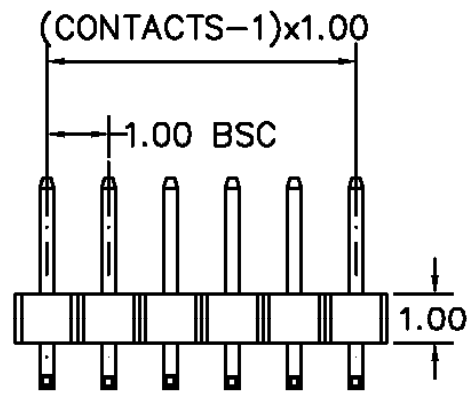
ORDER INFORMATION

170 04 XX XX X

- 3:Plating Gold Flash
- No. of Contact (02~50 Pin)
- Pin Chart
- RoHS Type



RECOMMENDED P.C.B LAYOUT



Pin Chart (RoHS)

No.	A	B	C	H
00	2.8	4.8	0.2	1.0
01	2.0	2.2	1.3	1.0
02	2.0	2.0	0.9	1.0

MATERIAL  
 HOUSING : THERMOPLASTIC UL94V-0  
 CONTACT : COPPER ALLOYS

SPECIFICATION  
 CURRENT: 1A  
 OPERATING TEMPERATURE: -40°C TO +105°C  
 CONTACT RESISTANCE : 20 MILLIOHMS MAX  
 INSULATION RESISTANCE : 5000 MEGAOHMS MIN  
 WITHSTANDING VOLTAGE : AC 500V RMS

鈺滿榮企業股份有限公司 ACME LUX CO., LTD.  
 TEL: 886-2-85124595 FAX: 886-2-85124322

0.0±0.38	SCALE: 1:1	TITLE: Pitch 1.0mm 90° Single Row Type Pin Header Connector	PART NO:
0.00±0.25			APP BY: <i>Hung</i>
0.000±0.15			UNIT: mm
		MATL: RoHS	DR BY: <i>Amos</i>
		DWG. NO. C17004XXXXXX	A284