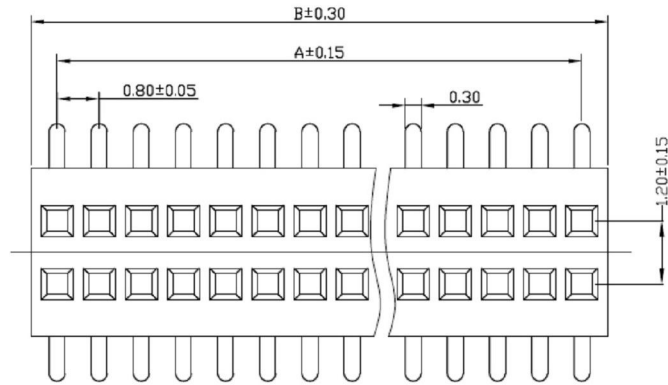


CUSTOMER COPY

REV.	DESCRIPTION	APP.	DATE
A	NEW DESIGN	Ader	20140829

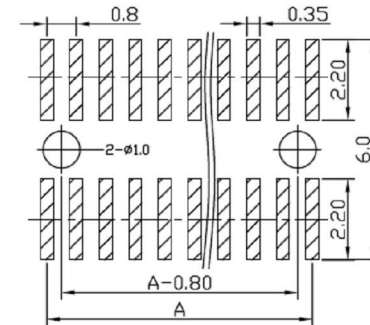
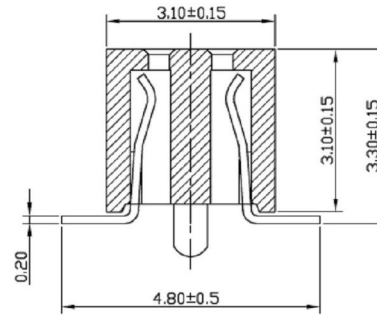
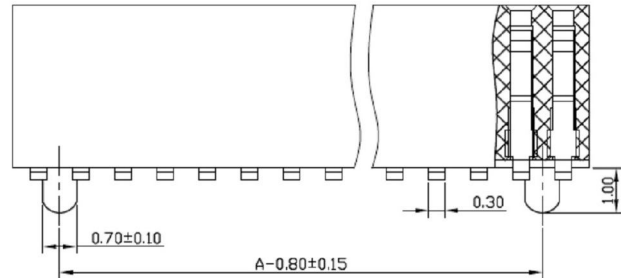


*Oder Information

168 54 00 XX X

3:Gold Flash
 No. Of Contact
 H:3.1 W:4.8
 雙排 SMT 有柱

	DIMENSIONS	
	A	B
2	0.80	1.90
3	1.60	2.70
4	2.40	3.50
5	3.20	4.30
6	4.00	5.10
7	4.80	5.90
8	5.60	6.70
9	6.40	7.50
10	7.20	8.30
11	8.00	9.10
12	8.80	9.90
13	9.60	10.70
14	10.40	11.50
15	11.20	12.30
16	12.00	13.10
17	12.80	13.90
18	13.60	14.70
19	14.40	15.50
20	15.20	16.30
21	16.00	17.10
22	16.80	17.90
23	17.60	18.70
24	18.40	19.50
25	19.20	20.30
26	20.00	21.10
27	20.80	21.90
28	21.60	22.70
29	22.40	23.50
30	23.20	24.30
31	24.00	25.10
32	24.80	25.90
33	25.60	26.70
34	26.40	27.50
35	27.20	28.30
36	28.00	29.10
37	28.80	29.90
38	29.60	30.70
39	30.40	31.50
40	31.20	32.30
41	32.00	33.10
42	32.80	33.90
43	33.60	34.70
44	34.40	35.50
45	35.20	36.30
46	36.00	37.10
47	36.80	37.90
48	37.60	38.70
49	38.40	39.50
50	39.20	40.30



RECOMMEND P.C. BOARD LAYOUT
 PCB TOLERANCE:±0.05<TOP VIEW>

SPECIFICATIONS

Current Rating: 0.75Amp
 Contact Resistance: 30m Ω Max
 Insulator Resistance: 1000MΩ Min
 Withstanding Voltage : AC 500V
 Operating Temperature:-40°to+ 105°
 Contact Material: Phosphor Bronze
 Insrlator Material: Thermoplastic(UL 94V-0)
 Standard : PA6T
 Max.Processing Temp: 240C°-260C°for
 30-60seconds(260C°for 10 seconds)



鈺滿榮企業股份有限公司 CMELUX CO., LTD.

TEL:886-2-85124595

FAX:886-2-85124322

0.0±0.30	SCALE:	TITLE:	PART NO:
0.00±0.20	UNIT: mm	Pitch0.8 2xXX 母座 H=3.0mm SMD	APP BY: Hung
0.000±0.1		MATL: ROHS	CHK BY: Cheryl
		DWC. NO. 1685400XXX	DR BY: Ader A225

