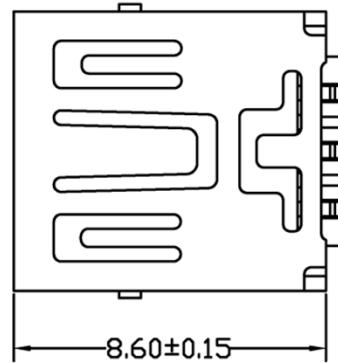
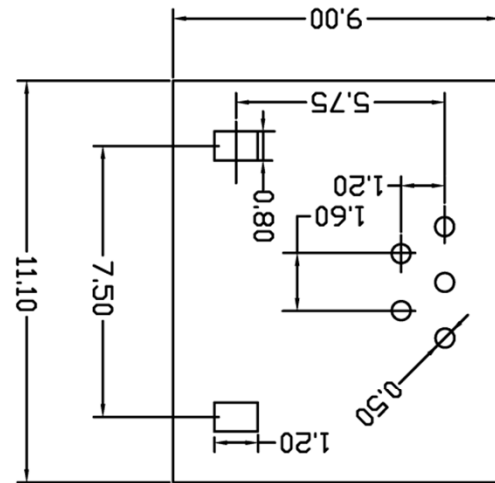


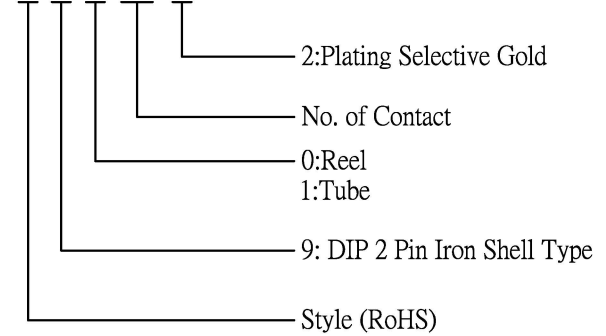
CUSTOMER COPY

REV.	DESCRIPTION	APP.	DATE
A	NEW DESIGN	Amos	2013-07-26

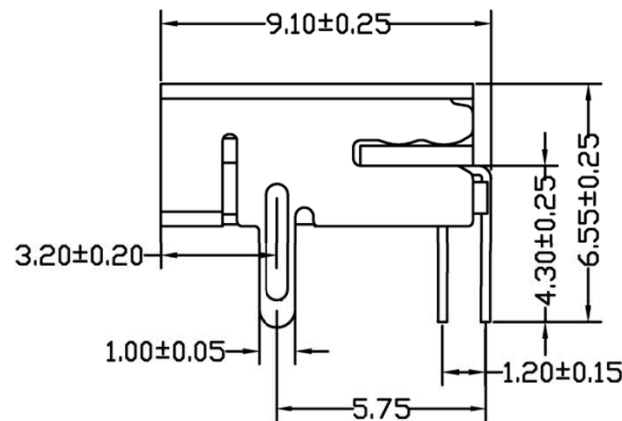
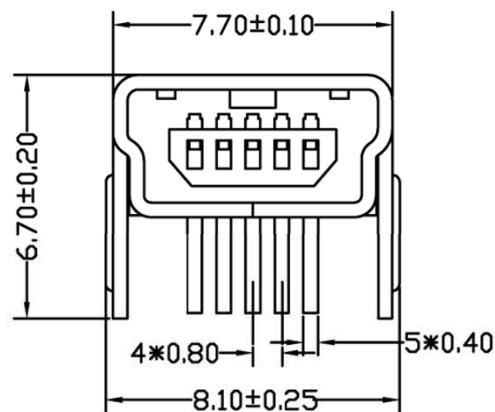


ORDER INFORMATION

1503 5 9 X 05 X



RECOMMENDED P.C.B. PATTERN LAYOUT



Material:

- A. Insulator : LCP GLASS FIBRE UL94 V-0 ;
- B. Contact : Phosphor Bronze.
- C. Shell : Brass.
- D. Finish :  
 Contact = Gold plated on contact area &  
 Tin plated on terminal area  
 Shell = Nickel plated.



鈺滿榮企業股份有限公司 ACMELUX CO., LTD.

TEL:886-2-85124595

FAX:886-2-85124322

0.0±0.30	SCALE: 1:1	TITLE:	PART NO:
0.00±0.20	UNIT: mm	DIP Female B Type Mini USB Connector	APP BY: <i>Hung</i>
0.000±0.1			CHK BY: <i>Cheryl</i>
		MATL: RoHS	DR BY: <i>Amos</i>
DWG. NO. C150359X05X		A292	