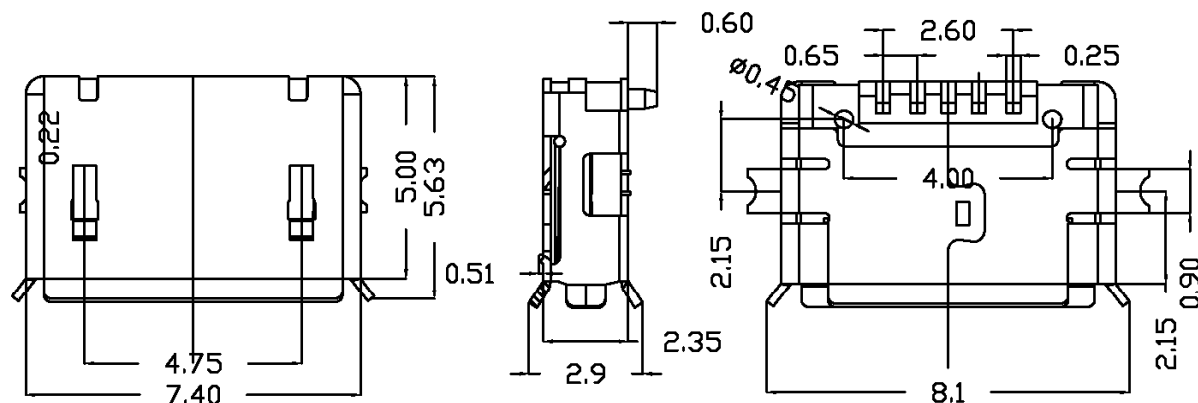


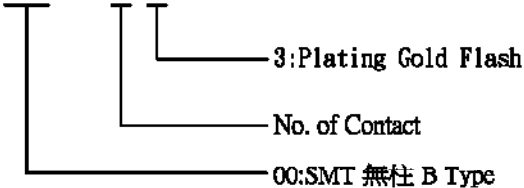
CUSTOMER COPY

REV.	DESCRIPTION	APP.	DATE
A	NEW DESIGN	Amos	2010-07-01



ORDER INFORMATION

1501 XX 00 5 X



Material:

1.1 Housing: High Temperature thermoplastic with g.f, UL94v-0

1.2 Contact: copper alloy, t=0.20mm

1.3 Shell: copper alloy, t=0.25mm

2. Specification:

2.1 Current rating: 1 A Max.

2.2 Dielectric withstanding voltage: 100 V(ac) for 1 min.

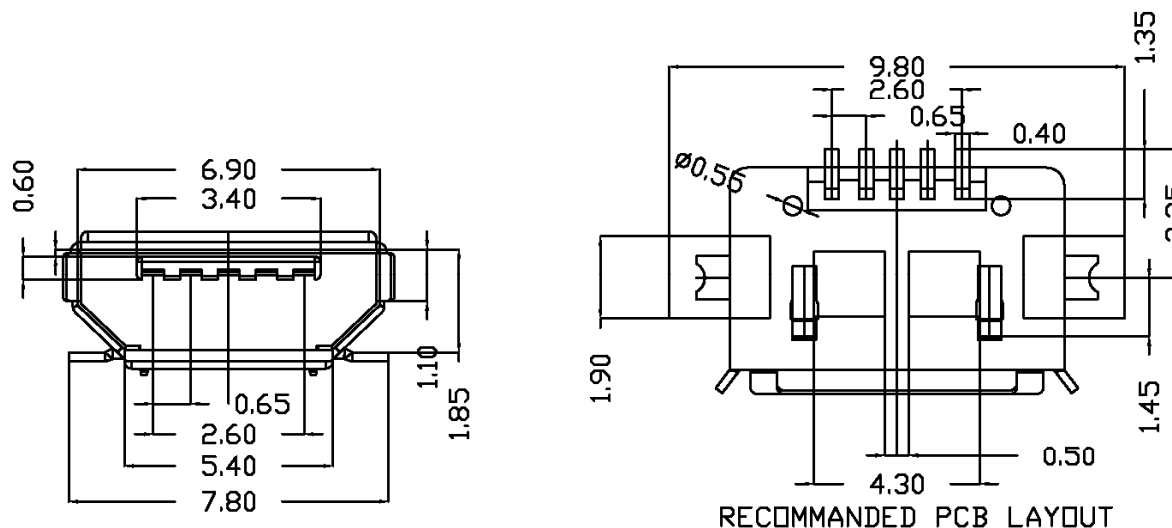
2.3 Contact resistance: 50 mΩ Max.

2.4 Insulation resistance: 100 MΩ Min.

2.5 Total mating force: 3.57 Kg Max.

2.6 Total unbinding force: 1.0 Kg Min. 0.81-2.05 Kg Min. after 10000 insertion/extraction cycles

2.7 Temperature range: -30°C-80°C



鈺滿榮企業股份有限公司 ACMELUX CO., LTD.

TEL: 886-2-85124595 FAX: 886-2-85124322

0.0±0.30	SCALE: 1:1	TITLE:	PART NO:
0.00±0.20	UNIT: mm	5 Pin SMT Type Micro-USB Connector	APP BY: <i>Hung</i>
0.000±0.1		MATL: RoHS	CHK BY: <i>Cheryl</i>
		DWG. NO. C1501XX005X	DR BY: <i>Amos</i> A292