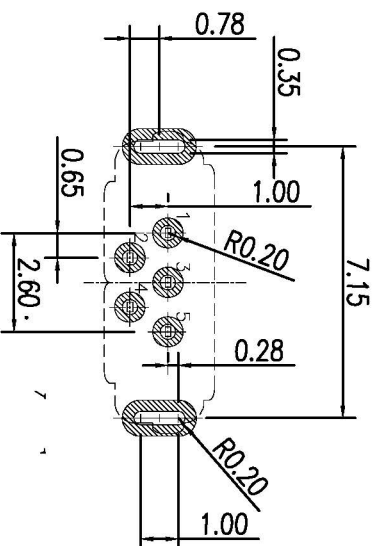
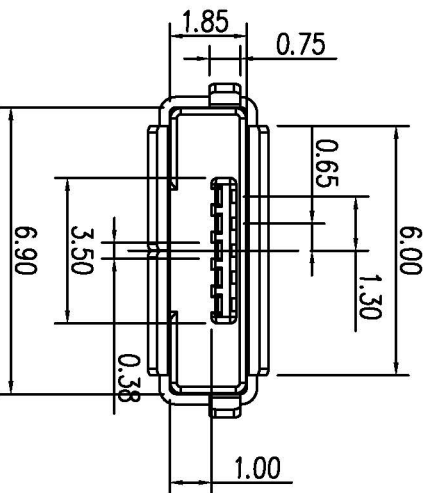
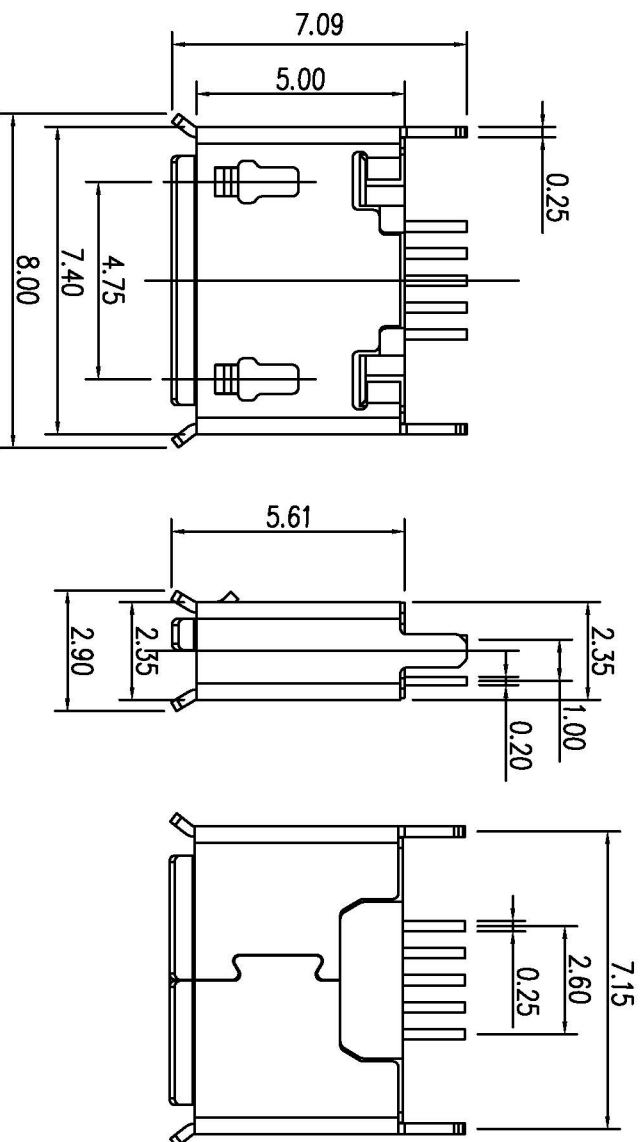


CUSTOMER COPY



RECOMMENDED P C B LAYOUT

REV.	DESCRIPTION	APP.	DATE
A	NEW DESIGN	Amos	2014-03-25

-NOTES-

1. Electrical:

Contact resistance: 50m ohms max.

Dielectric withstanding voltage:

250V RMS.

Insulation resistance:

50M ohms min.

2. Mechanical:

MATE AND UNMATE FORCE:

MATE FORCE: 3.0kg MAX

UNMATE FORCE: 1.02 kg MIN

Durability: 3000 cycles MIN.

3. Environment:

Operating Temperature: -20° to +85°.

4. FINISH:

TERMINAL: GOLD Plated Over NICKEL

Contact area, TIN ON

SOLDER TAIL AREA.

SHELL: BRASS WITH TIN Plated.

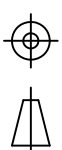


钰满荣企业股份有限公司 ACMELUX CO., LTD.

TEL: 886-2-85124595

FAX: 886-2-85124322

0.0±0.30	SCALE: 1:1	TITLE:	PART NO:
0.00±0.20	UNIT: mm	180° Female AB Type	APP BY: Hung
0.000±0.1		Micro USB Connector	CHK BY: Cheryl



MATL: RoHS
DWG. NO. C1501250053

DR BY: Amos

A292