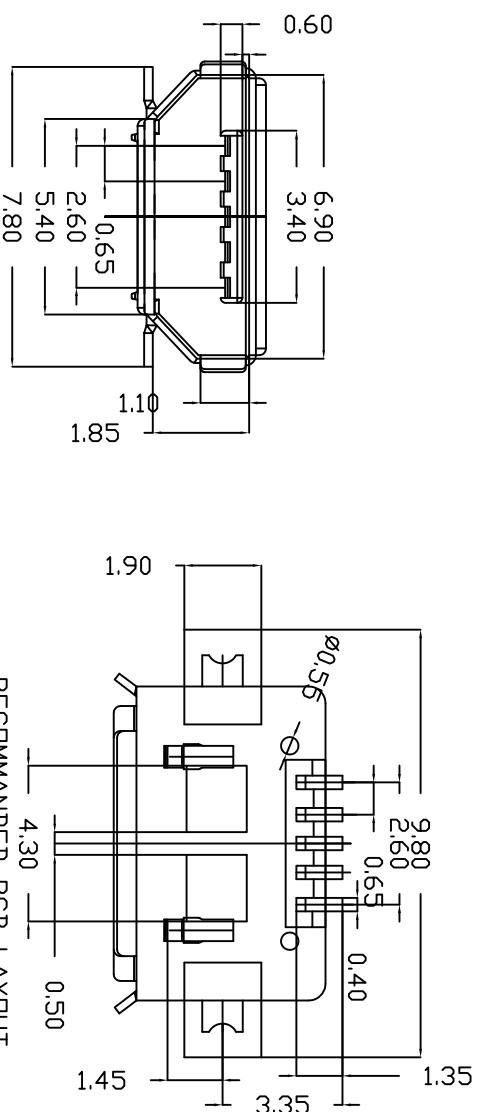
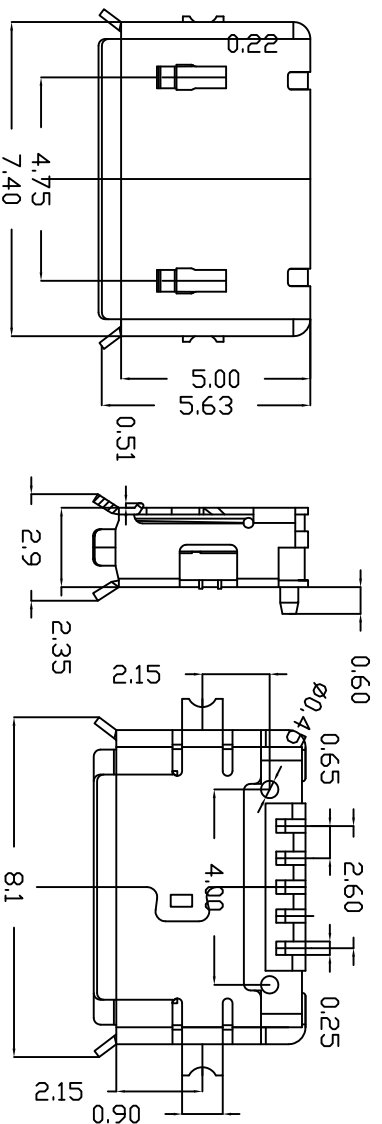


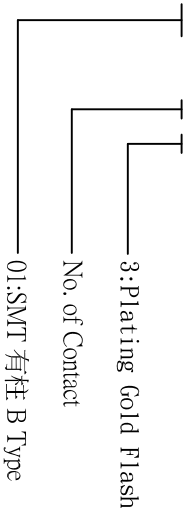
CUSTOMER COPY



RECOMMENDED PCB LAYOUT

ORDER INFORMATION

1501 01 00 5 X



Material:

- 1.1 Housing: High Temperature thermoplastic with g.f.i, UL94V-0
- 1.2 Contact: copper alloy, t=0.20mm
- 1.3 Shell: copper alloy, t=0.25mm
2. Specification:
 - 2.1 Current rating: 1 A Max.
 - 2.2 Dielectric withstanding voltage: 100 V(ac) for 1 min.
 - 2.3 Contact resistance: 50 mΩ Max.
 - 2.4 Insulation resistance: 100 MΩ Min.
 - 2.5 Total mating force: 3.57 Kgf Max.
 - 2.6 Total unbrating force: 1.0 Kgf Min. 0.81-2.05 Kgf Min. after 10000 insertion/extraction cycles
 - 2.7 Temperature range: -30C-80C



钰满荣企业股份有限公司 ACMELUX CO., LTD.
 TEL: 886-2-85124595 FAX: 886-2-85124322

0.0±0.30	SCALE: 1:1	TITLE:	PART NO:
0.00±0.20	UNIT: mm	5Pin SMT Type	APP BY: <i>Stung</i>
0.000±0.1		Micro USB Connector	CHK BY: <i>Cheryl</i>

	MATL: RoHS	DR BY: <i>Amos</i>
	DWG. NO. C150101005X	A292

REV.	DESCRIPTION	APP.	DATE
A	NEW DESIGN	Amos	2012-04-12