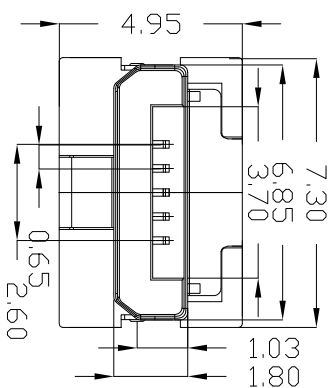
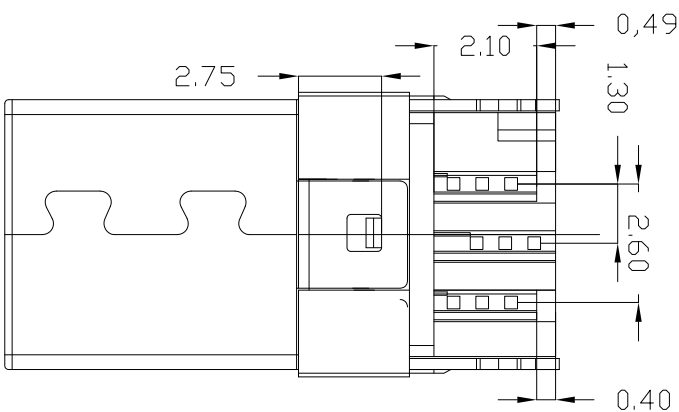
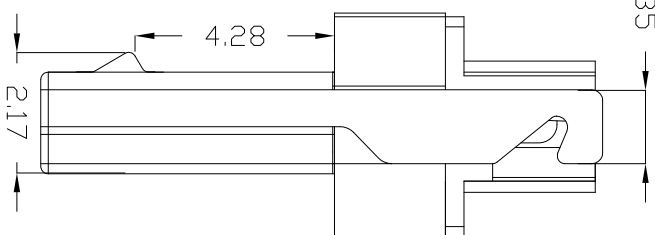
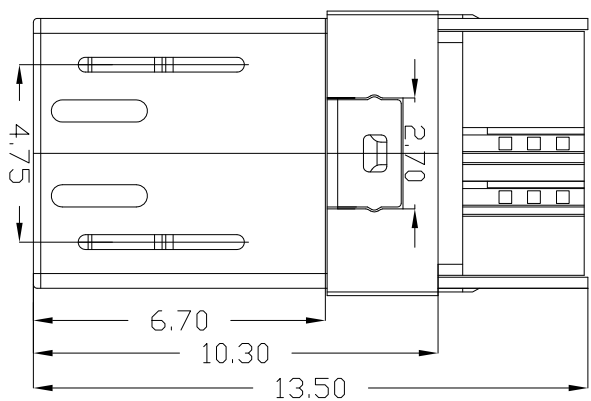
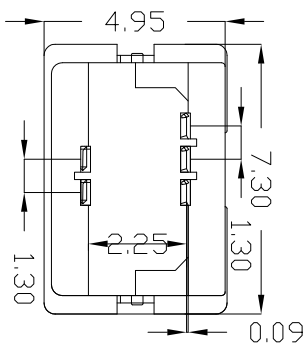
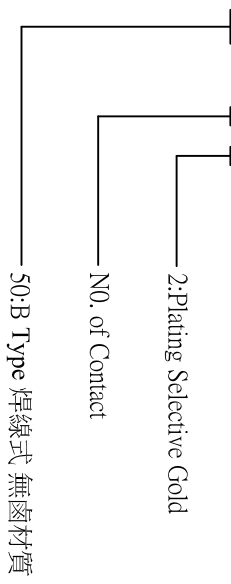


CUSTOMER COPY



ORDER INFORMATION

1499 50 00 X X



Note:

1. Material:
 - 1.1 Housing: High Temperature thermoplastic with g.f, UL94V-0
 - 1.2 Contact: copper alloy, t=0.20mm
 - 1.3 Shell: copper alloy, t=0.25mm
2. Specification:
 - 2.1 Current rating: 1 A Max.
 - 2.2 Dielectric withstanding voltage: 100 V(ac) for 1 min.
 - 2.3 Contact resistance: 50 mΩ Max.
 - 2.4 Insulation resistance: 100 MΩ Min.
 - 2.5 Total mating force: 3.57 Kgf Max.
 - 2.6 Total unmating force: 1.0 Kgf Min. 0.81~2.05 Kgf Min. after 10000 insertion/extraction cycles
 - 2.7 Temperature range: -30°C~80°C



REV.	DESCRIPTION	APP.	DATE
A	NEW DESIGN	Amos	2009-07-21



鈺滿榮企業股份有限公司 ACMELUX CO., LTD.

TEL:886-2-85124595 FAX:886-2-85124322

0.0±0.30	SCALE: 1:1	TITLE:	PART NO.:
0.00±0.20	UNIT: mm	5 Pin Male Type	APP BY: <i>Stung</i>
0.000±0.1		Micro-USB Connector	CHK BY: <i>Cheryl</i>

	MATL: RoHS	DR BY: <i>Amos</i>	A292
	DWG. NO. C14995000XX		